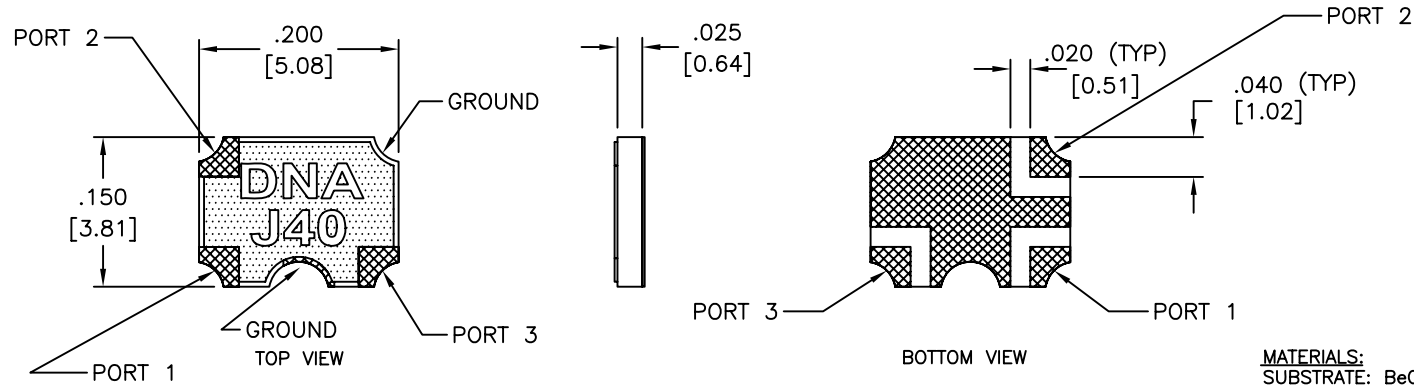


EDD

NOTES:

UNLESS OTHERWISE SPECIFIED, TOLERANCES ARE $\pm .010"$ [.245mm]

		OUTPUT		
		1	2	3
INPUT	1	X	DIRECT	SAMPLE
	2	DIRECT	X	SAMPLE



MATERIALS:
 SUBSTRATE: BeO
 RESISTIVE FILM: THICK FILM
 PROTECTIVE COATING: POLYMER

FINISH:
 RoHS COMPLIANT
 GROUND PLANE: TIN PLATED
 TERMINALS: TIN PLATED

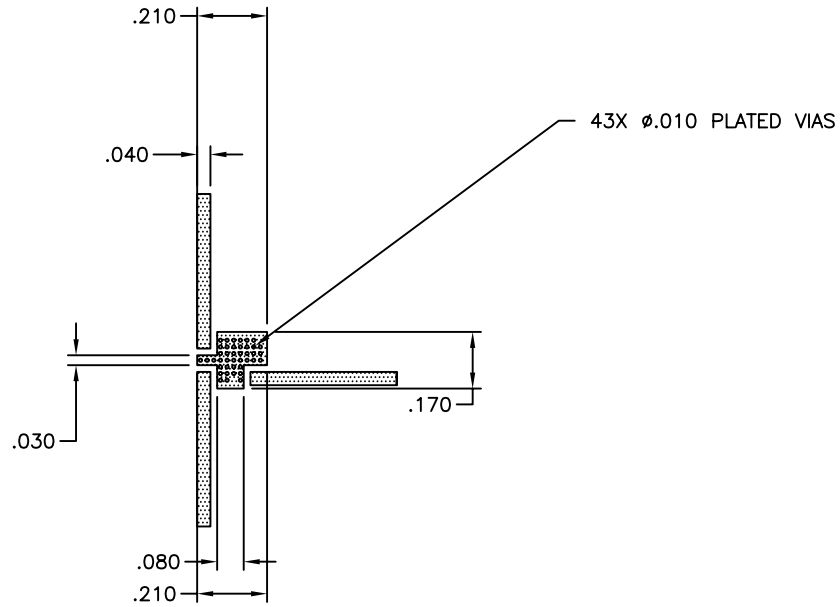
TECHNICAL
 NOMINAL IMPEDANCE: 50 OHMS
 FREQUENCY RANGE: DC-2GHz
 COUPLING: 40±2 dB
 VSWR PORT 1,2: 1.15:1 (MAX)
 INSERTION LOSS: 0.3 dB TOTAL MAX
 POWER HANDLING: 100 W
 OPERATING TEMPERATURE: -55°C TO +85°C

THESE DRAWINGS AND SPECIFICATIONS ARE THE PROPERTY OF FLORIDA RF LABS AND SHALL NOT BE DUPLICATED OR USED AS BASIS FOR THE MANUFACTURE OR SALE OF PARTS OR DEVICES WITHOUT PERMISSION.

—	5/8 2007	07-F0485
REV	DATE	CHANGE DESCRIPTION
		REVISION

	UNLESS OTHERWISE SPECIFIED DIMENSIONS ARE IN INCHES TOLERANCES	TITLE	
	FRACT --- ANG --- XX --- XXX ±0.005 XXXX ---	DIRECTIONAL SAMPLER, 40 dB	
CAGE CODE 2Y194	8851 SW OLD KANSAS AVE STUART, FL 34997	(772)286-9300	ASSY REF —
VENDOR CODE FRFL	PLOT SCALE 2:1	DRAWN BY AWM	CHECKED BY APPROVED BY
		DRAWING NUMBER DNA-J40_EDD	
			SHEET 2 OF 2


EDD



SUGGESTED TEST BOARD MOUNTING

—	5/8 2007	07-F0485
REV	DATE	CHANGE DESCRIPTION
		REVISION

THESE DRAWINGS AND SPECIFICATIONS ARE THE PROPERTY OF FLORIDA RF LABS AND SHALL NOT BE DUPLICATED OR USED AS BASIS FOR THE MANUFACTURE OR SALE OF PARTS OR DEVICES WITHOUT PERMISSION.

	UNLESS OTHERWISE SPECIFIED DIMENSIONS ARE IN INCHES	TITLE
	TOLERANCES	DIRECTIONAL SAMPLER, 40 dB
CAGE CODE 2Y194	FRACT ---	(772)286-9300
8851 SW OLD KANSAS AVE STUART, FL 34997	ANG ---	ASSY REF —
VENDOR CODE FRFL	XX ---	DRAWN BY AWM
	XXX ±0.005	CHECKED BY
	XXXX ---	APPROVED BY
	PLOT SCALE 2:1	DRAWING NUMBER DNA-J40_EDD2
		SHEET 2 OF 2