

**RG-405 Blue Outer Jacket**  
**Formable Cable Assembly**  
**Hand bend to final shape**

- \* 100% "go/no-go" VSWR test to 10 GHz
- \* 100% Hi-POT tested, Voltage = 500 volts
- \* Choose your length: 3" - 96"
- \* Labeling = Part Number and Date Code
- \* Custom Requirements Welcome
- \* RoHS compliant

**10 GHz RF Specifications @ 25 C°**

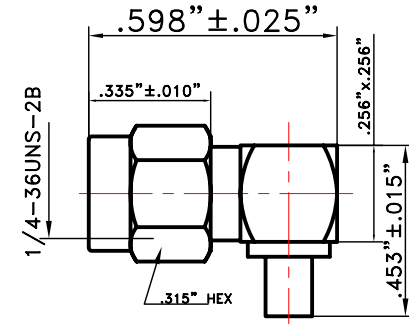
- \* VSWR: Max. 1.35 : 1
- \* Insertion Loss (dB): Typical  $0.4 + 0.07 * \text{Length (in inches)}$

Part Number	Connector Type	Cable Length
P1-SMAP/SMAPRA-085CJ-XX	SMA Stainless Steel Coupling Nut (passivated), Au-plated Brass Body	XX = Length
RG405 formable, OD=0.110" Nominal, Blue Jacket		

**Length Tolerance**

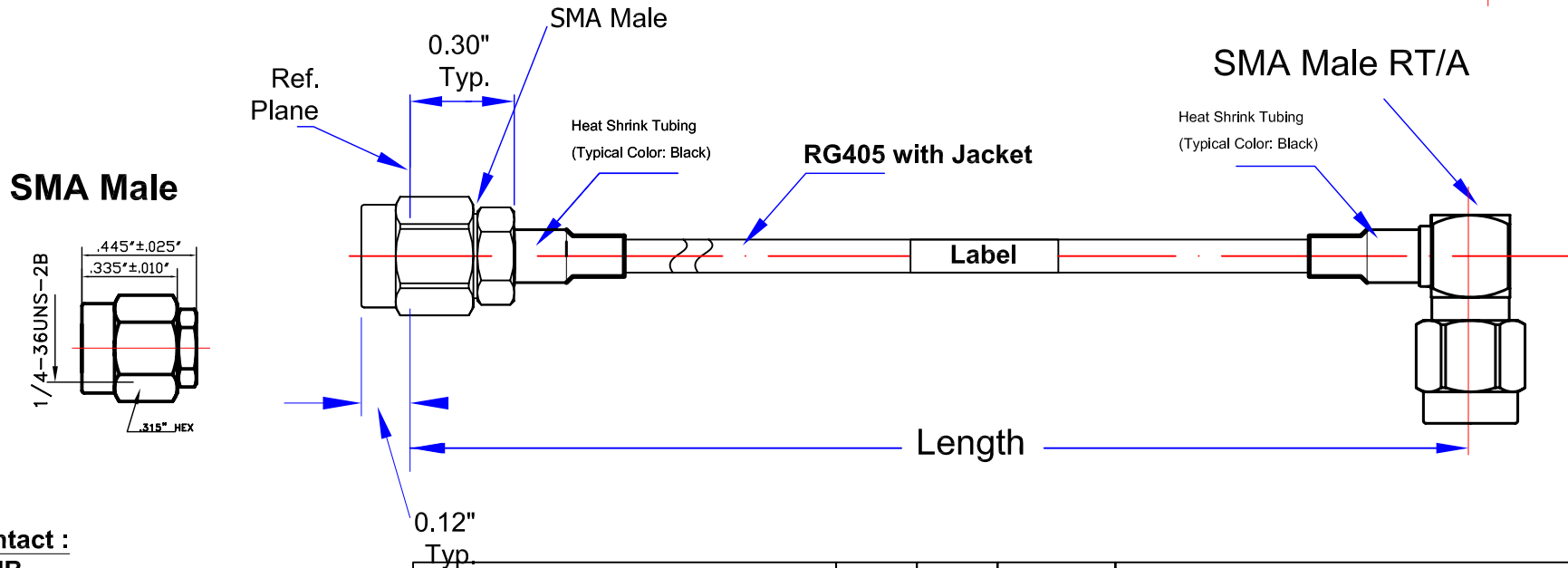
L (inches)	Tolerance (inches)
3 - 5.9	± 0.125
6 - 11.9	± 0.187
12 - 23.9	± 0.250
24 - 35.9	± 0.313
> 36	contact P1dB

**SMA Male RT/A**

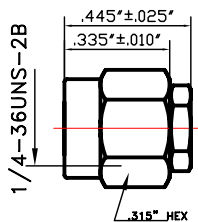


**SMA Male RT/A**

Heat Shrink Tubing  
(Typical Color: Black)



**SMA Male**



**Contact :**  
**P1dB**  
**EXCLUSIVE DISTRIBUTOR**  
 RFMW, LTD.  
 San Jose, CA  
[sales@RFMW.com](mailto:sales@RFMW.com)  
 Tel: (877) 367-7369

DRAWING BY: Z. Lou		DATE: 9/28/2009	SIZE A	SCALE NO	UNLESS OTHERWISE SPECIFIED TOLERANCES: .XX = .XXX = DIMENSIONS ARE IN INCHES	<b>P1dB</b>
CHECKED BY: S. Ulett		DATE: 9/28/2009	REV. B	SHEET 1/1		
APPROVED BY: S. Ulett		DATE: 9/28/2008	PART NO. <b>SEE ABOVE</b>			