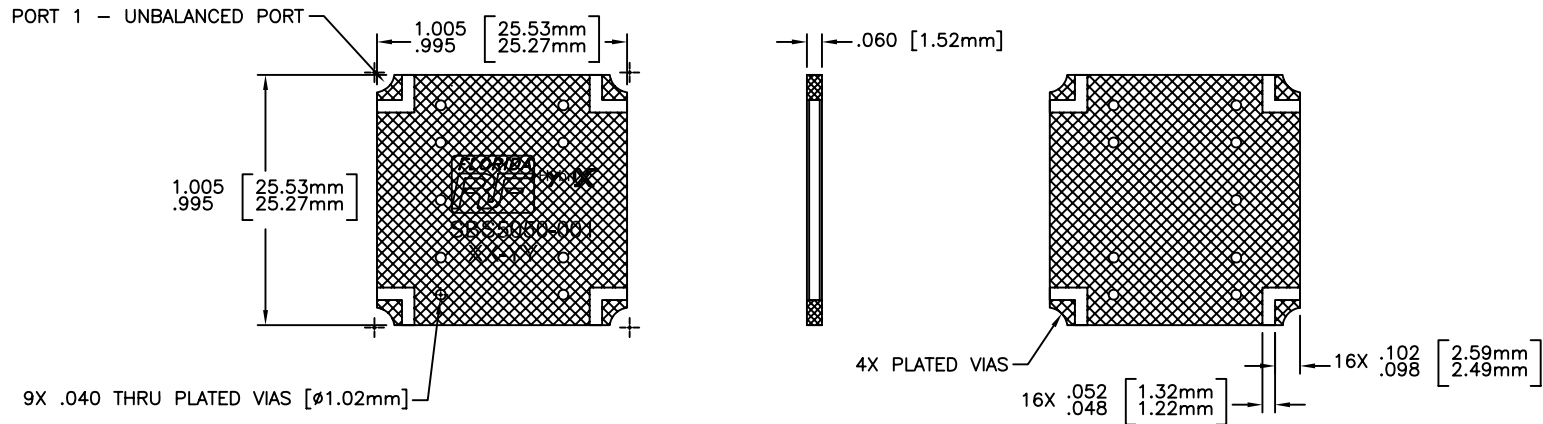


***NOTES:**

1. FREQUENCY: 440-490 MHz
 IMPEDANCE RATIO: 50 OHM SINGLE ENDED, 100 OHM DIFFERENTIAL
 RETURN LOSS: (BALANCED): 18 dB
 (UNBALANCED): 6 dB
 INSERTION LOSS (MAX): 0.35 dB
 AMPLITUDE BALANCE: ± 0.2 dB
 PHASE BALANCE (FROM 180°): ± 2.5°
 POWER HANDLING: 50 WATT CONTINUOUS @ 85°C
 OPERATING TEMPERATURE: -55°C TO +85°C
2. LEAD FREE, ROHS COMPLIANT



*3. SPECIFICATIONS GUARANTEED WHEN PROPERLY MOUNTED ON RF LABS TEST FIXTURE.

A	06/22 2007	EN 07-F0520
REV	DATE	CHANGE DESCRIPTION
REVISION		

THESE DRAWINGS AND SPECIFICATIONS ARE THE PROPERTY OF FLORIDA RF LABS AND SHALL NOT BE DUPLICATED OR USED AS BASIS FOR THE MANUFACTURE OR SALE OF PARTS OR DEVICES WITHOUT PERMISSION.			
		UNLESS OTHERWISE SPECIFIED DIMENSIONS ARE IN INCHES TOLERANCES FRACT --- -- ANG --- -- XX --- -- XXX ±0.005 XXXX --- --	
CAGE CODE 2Y194		TITLE BALUN 1:1 50 WATT	
8851 SW OLD KANSAS AVE STUART, FL 34997		(772)286-9300 ASSY REF ---	
VENDOR CODE FRFL		PLOT SCALE 2:1	
		DRAWING NUMBER SBS5050-001-EDD	
		APPROVED BY SHEET 1 OF 1	