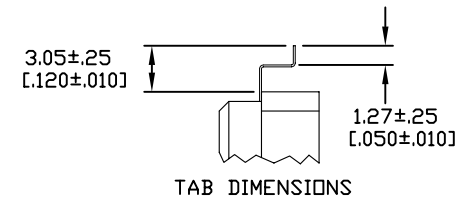
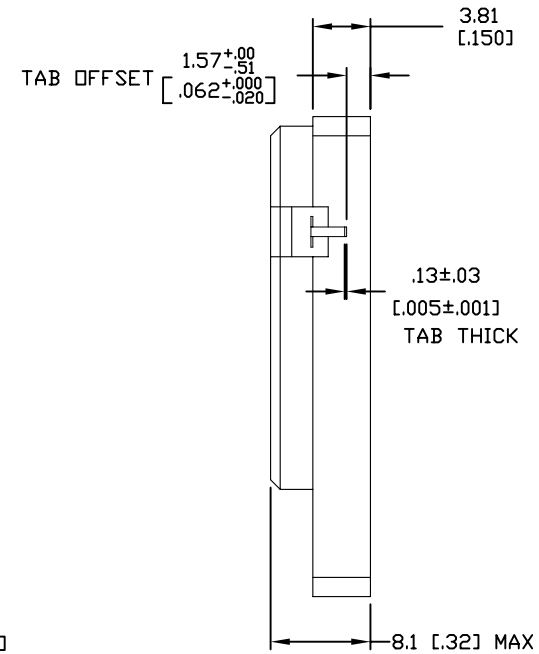
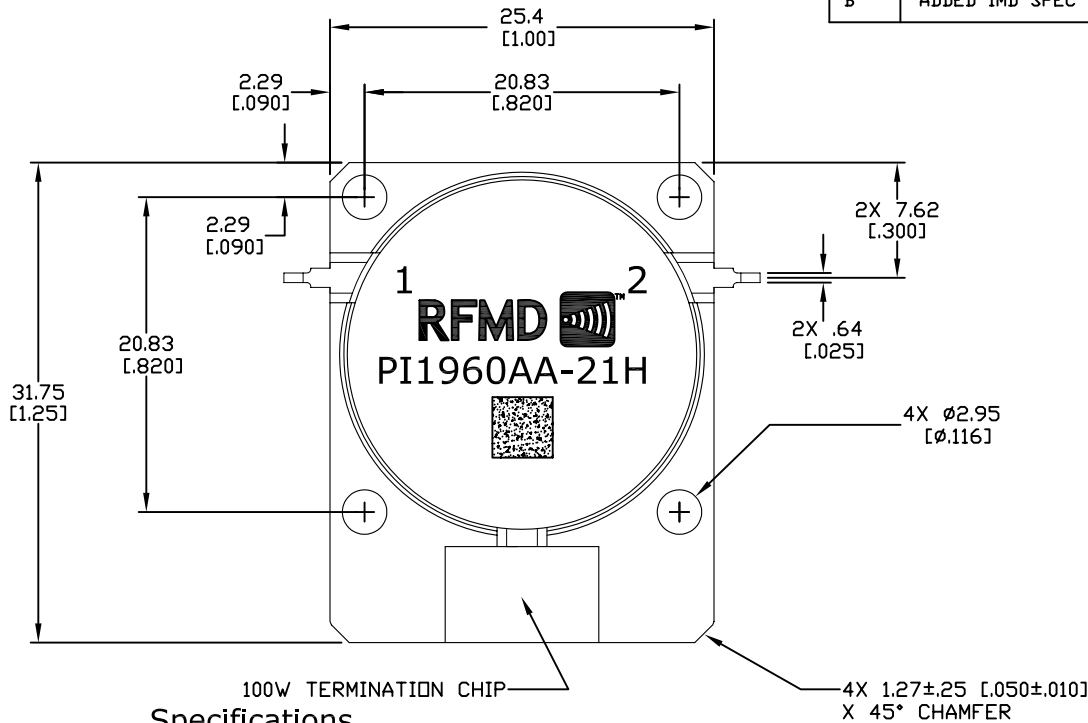


REV.	DESCRIPTION	ECD	DATE	APPROVED
B	ADDED IMD SPEC	8495	06/04/08	A.C.



### Specifications

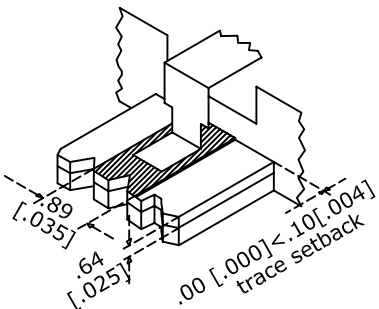
Parameter	Minimum	Typical	Maximum
Frequency Range (MHz)	1930		1990
Insertion Loss (dB)		< .20	.30
Isolation (dB)	20	> 23	
Return Loss (dB)	20	> 23	
FWD IMD: 2T at 37W per T 5MHz Spacing		-75	

### Power & Temperature Ratings

Parameter	Maximum
Forward PWR Peak/AVG	1000/200 Watts
Reverse Power	100 Watts
Operating Temperature	-40 to +85° C
Storage Temperature	-40 to +95° C

#### Notes:

1. Typical Values Represent Mid-Band Performance @ +23 °C.
2. All Material And Plating Are RoHS Compliant.



MATING SUBSTRATE  
FOR TEST PURPOSES

## ISOLATOR MODEL: PI1960AA-21H

UNLESS OTHERWISE SPECIFIED DIMENSIONS ARE IN MM [INCHES], TOLERANCES ARE: FRACTIONS DECIMALS ANGLES ± .XX± .13 [0.005] ±0.5°	APPROVALS	DATE
	DRAWN AC	12/28/07
MATERIAL HOUSING: ALUMINUM CIRCUIT TAB: BeCu .13[0.005] THK	ENG.	.
	MKT./SALES	.
FINISH HOUSING: ELECTROLESS NICKEL CIRCUIT TAB: SILVER	BUS MGR.	.



## OUTLINE DRAWING

SIZE <b>A</b>	SCALE 2X	DWG. <b>200-00122</b>	REV. <b>B</b>
DO NOT SCALE DRAWING		SHEET 1 OF 1	