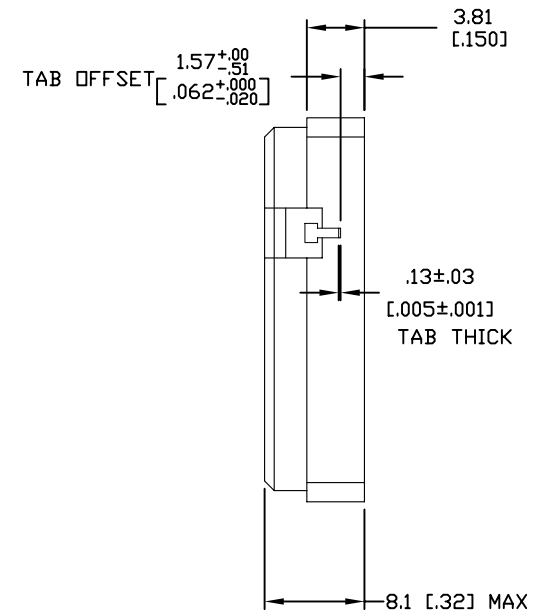
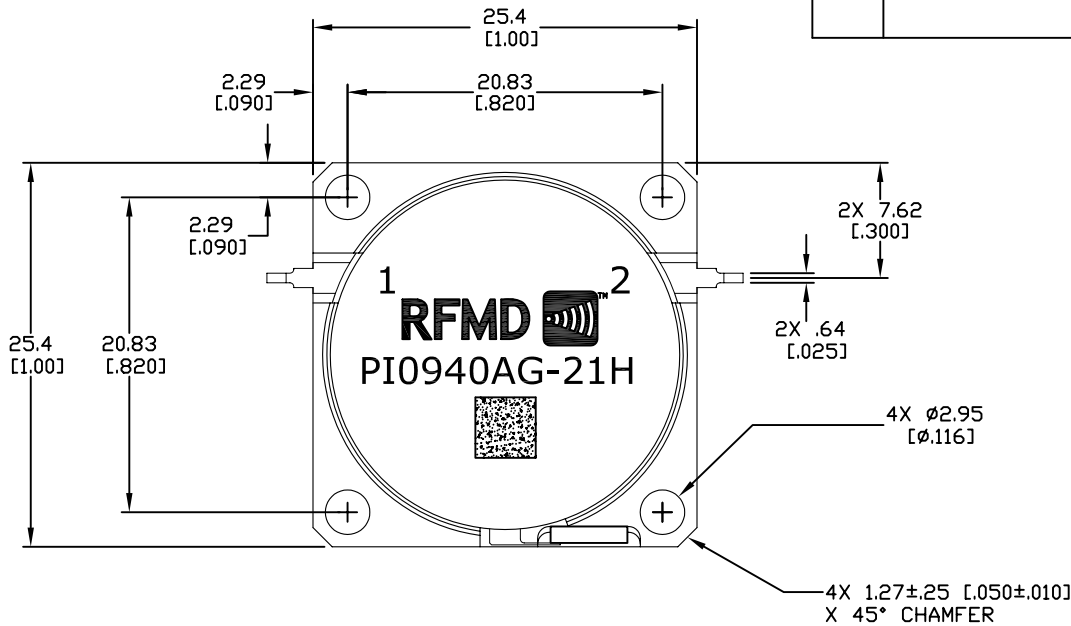


REV.	DESCRIPTION	ECD	DATE	APPROVED
A	INITIAL RELEASE	8495	06/04/08	A.C.

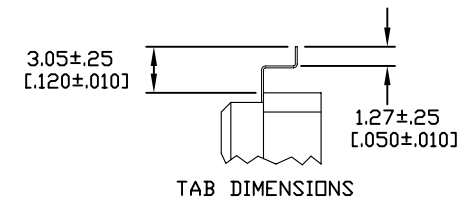


### Specifications

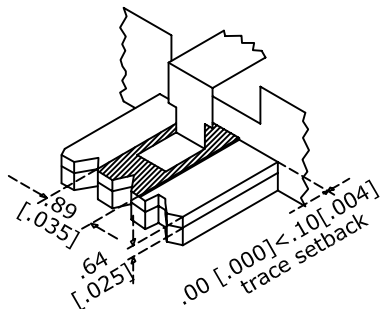
Parameter	Minimum	Typical	Maximum
Frequency Range (MHz)	920		960
Insertion Loss (dB)		< .20	.30
Isolation (dB)	20	> 23	
Return Loss (dB)	20	> 23	
FWD IMD: 2T at 37W per T 5MHz Spacing		-65	

### Power & Temperature Ratings

Parameter	Maximum
Forward PWR Peak/AVG	500/200 Watts
Reverse Power	30 Watts
Operating Temperature	-20 to +85° C
Storage Temperature	-40 to +95° C



- Notes:  
 1. Typical Values Represent Mid-Band Performance @ +23 °C.  
 2. All Material And Plating Are RoHS Compliant.



MATING SUBSTRATE  
FOR TEST PURPOSES

ISOLATOR MODEL: PI0940AG-21H

UNLESS OTHERWISE SPECIFIED DIMENSIONS ARE IN MM [INCHES], TOLERANCES ARE: FRACTIONS DECIMALS ANGLES ± .X± .3 [0.01] ± .XX± .13 [0.005] ±0.5°	APPROVALS		DATE	
	DRAWN	A.C.	06/04/08	
	ENG.	.	.	
	MKT./SALES	.	.	
MATERIAL HOUSING: ALUMINUM CIRCUIT TAB: BeCu .13[0.005] THK	BUS MGR.	.	.	
FINISH HOUSING: ELECTROLESS NICKEL CIRCUIT TAB: SILVER				
SIZE <b>A</b>	SCALE 2X	DWG. <b>200-00146</b>	REV. <b>A</b>	
DO NOT SCALE DRAWING			SHEET 1 OF 1	

**RFMD** 

**OUTLINE DRAWING**