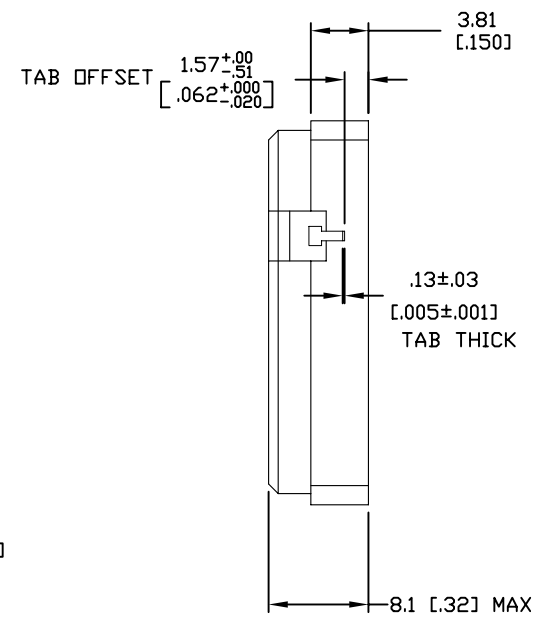
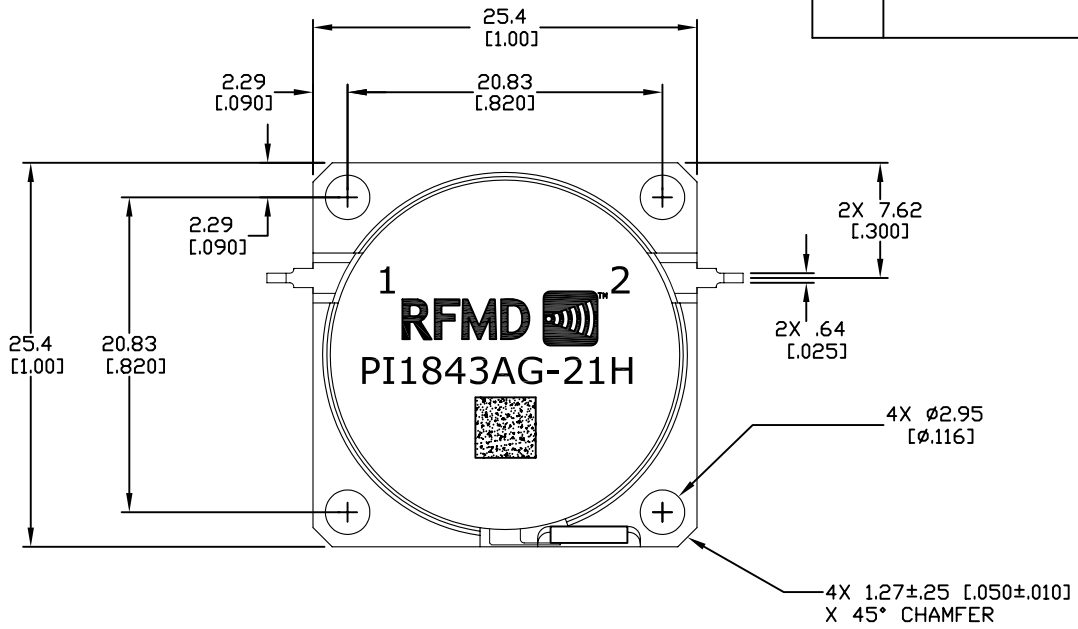


REV.	DESCRIPTION	ECD	DATE	APPROVED
A	INITIAL RELEASE	8495	06/04/08	A.C.



Specifications

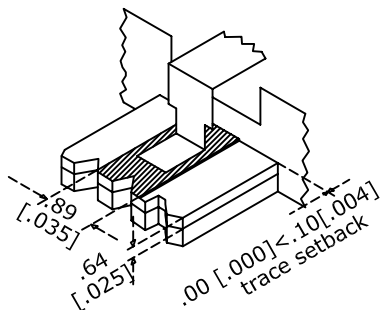
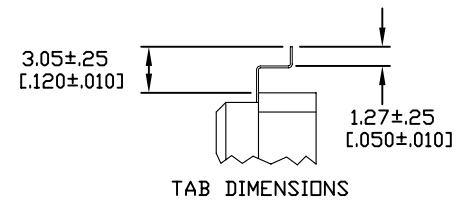
Parameter	Minimum	Typical	Maximum
Frequency Range (MHz)	1805		1880
Insertion Loss (dB)		< .20	.30
Isolation (dB)	20	> 23	
Return Loss (dB)	20	> 23	
FWD IMD: 2T at 37W per T 5MHz Spacing		-70	

Power & Temperature Ratings

Parameter	Maximum
Forward PWR Peak/AVG	500/200 Watts
Reverse Power	30 Watts
Operating Temperature	-40 to +85° C
Storage Temperature	-40 to +95° C

Notes:

1. Typical Values Represent Mid-Band Performance @ +23 °C.
2. All Material And Plating Are RoHS Compliant.



MATING SUBSTRATE
FOR TEST PURPOSES

ISOLATOR MODEL: PI1843AG-21H

UNLESS OTHERWISE SPECIFIED DIMENSIONS ARE IN MM [INCHES], TOLERANCES ARE: FRACTIONS DECIMALS ANGLES ± .X± .3 [0.01] ± .XX± .13 [0.005] ±0.5°	APPROVALS	DATE
	DRAWN A.C.	06/04/08
MATERIAL HOUSING: ALUMINUM CIRCUIT TAB: BeCu .13[0.005] THK	ENG.	.
	MKT./SALES	.
FINISH HOUSING: ELECTROLESS NICKEL CIRCUIT TAB: SILVER	BUS MGR.	.



OUTLINE DRAWING

SIZE A	SCALE 2X	DWG. 200-00147	REV. A
DO NOT SCALE DRAWING		SHEET 1 OF 1	