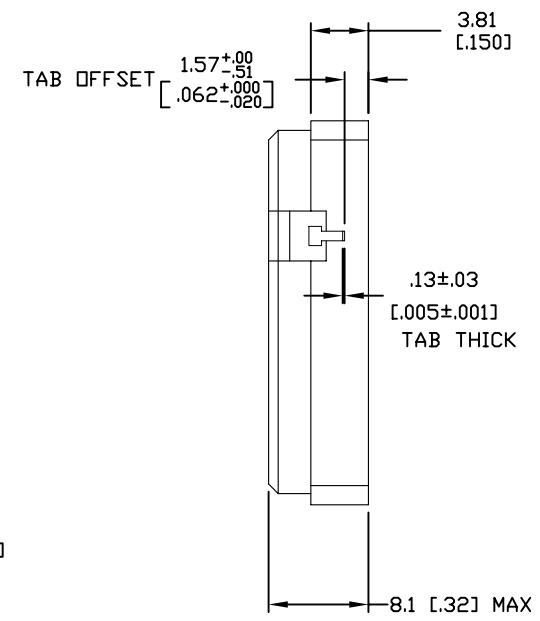
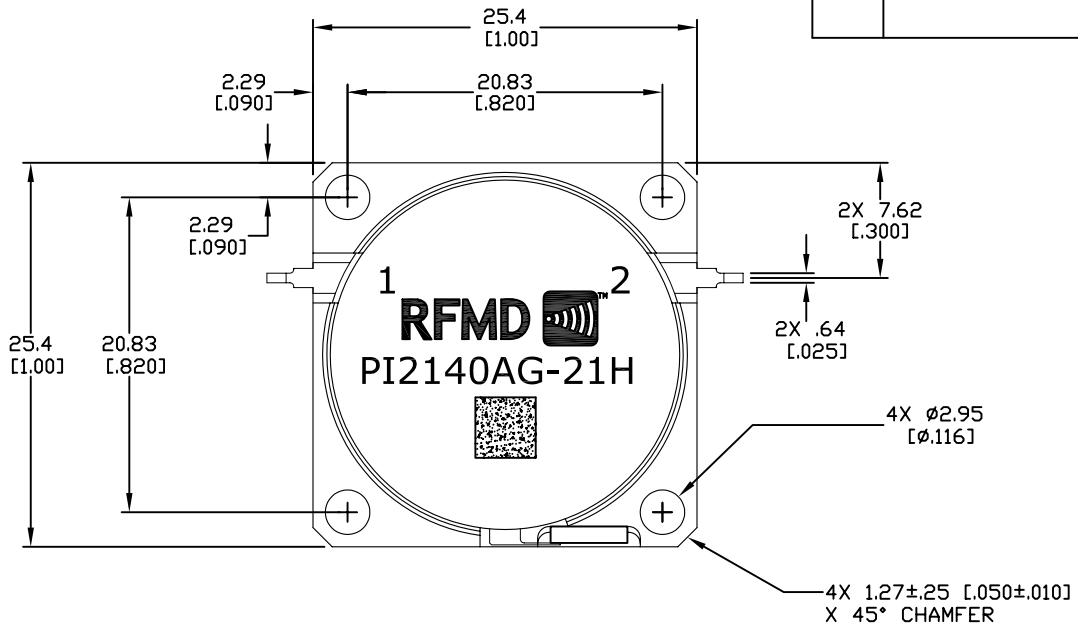


REV.	DESCRIPTION	ECD	DATE	APPROVED
A	INITIAL RELEASE	8495	06/04/08	A.C.



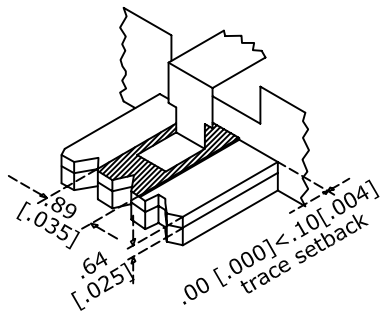
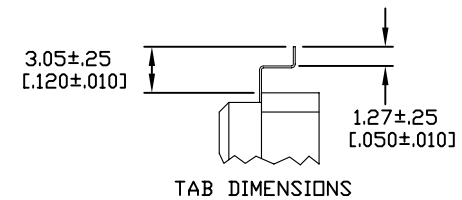
Specifications

Parameter	Minimum	Typical	Maximum
Frequency Range (MHz)	2090		2190
Insertion Loss (dB)		< .20	.30
Isolation (dB)	20	> 23	
Return Loss (dB)	20	> 23	
FWD IMD: 2T at 37W per T 5MHz Spacing		-75	

Power & Temperature Ratings

Parameter	Maximum
Forward PWR Peak/AVG	500/200 Watts
Reverse Power	30 Watts
Operating Temperature	-40 to +85° C
Storage Temperature	-40 to +95° C

- Notes:
1. Typical Values Represent Mid-Band Performance @ +23 °C.
 2. All Material And Plating Are RoHS Compliant.



MATING SUBSTRATE
FOR TEST PURPOSES

ISOLATOR MODEL: PI2140AG-21H

UNLESS OTHERWISE SPECIFIED DIMENSIONS ARE IN MM [INCHES], TOLERANCES ARE: FRACTIONS DECIMALS ANGLES ± .XX± .13 [0.005] ±0.5°	APPROVALS		DATE
	MATERIAL HOUSING: ALUMINUM CIRCUIT TAB: BeCu .13[0.005] THK FINISH HOUSING: ELECTROLESS NICKEL CIRCUIT TAB: SILVER	DRAWN	A.C.
ENG.		.	.
MKT./SALES		.	.
BUS MGR.		.	.



OUTLINE DRAWING

SIZE	SCALE	DWG.	REV.
A	2X	200-00148	A
DO NOT SCALE DRAWING			SHEET 1 OF 1