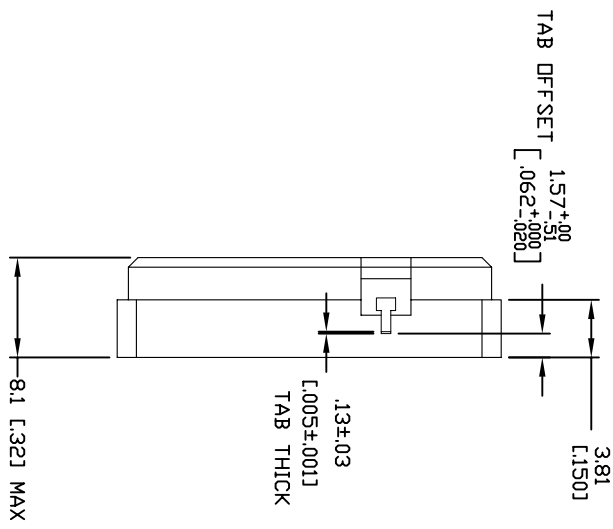
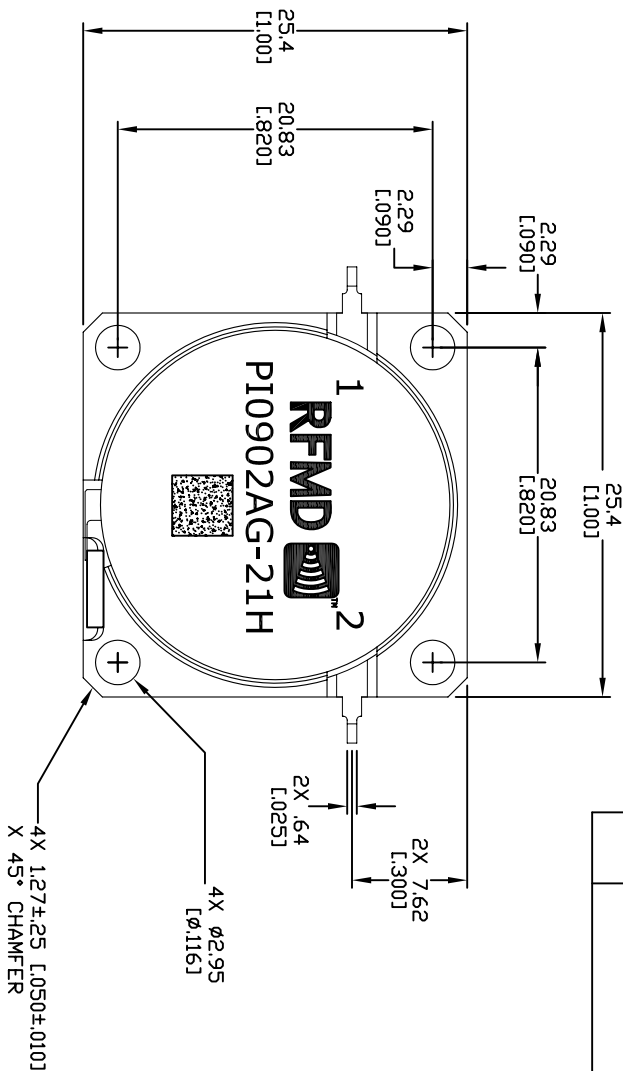


REV.	DESCRIPTION	ECD	DATE	APPROVED
A	INITIAL RELEASE	9140	04/22/09	P.T.

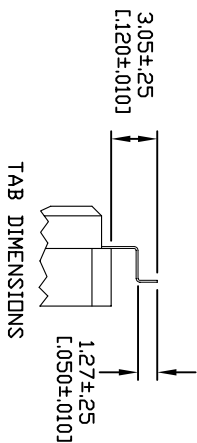


Parameter	Minimum	Typical	Maximum
Frequency Range (MHz)	890		915
Insertion Loss (dB)		< .20	.30
Isolation (dB)		> 23	
Return Loss (dB)		> 23	
FWD IMD: 2T at 37W per T 5MHz Spacing			-65

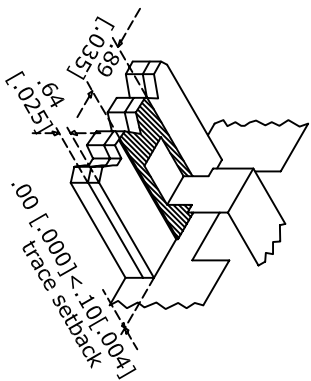
Specifications

Parameter	Maximum
Forward PWR Peak/AVG	500/200 Watts
Reverse Power	30 Watts
Operating Temperature	-20 to +85° C
Storage Temperature	-40 to +95° C

Power & Temperature Ratings



- Notes:
1. Typical Values Represent Mid-Band Performance @ +23 °C.
 2. All Material And Plating Are RoHS Compliant.



ISOLATOR MODEL: PI0902AG-21H



OUTLINE DRAWING

UNLESS OTHERWISE SPECIFIED DIMENSIONS ARE IN MM (INCHES), TOLERANCES ARE:		APPROVALS		DATE	
FRACTIONS	DECIMALS	DRAWN	L.K.	04/22/09	
±	.XX±	ENG.	.	.	
	.13 [0.005]	MKT./SALES	.	.	
		BUS MGR.	.	.	
ANGLES					
	±0.5°				
MATERIAL					
HOUSING: ALUMINUM					
CIRCUIT TAB: BeCu .13[.005] THK					
FINISH					
HOUSING: ELECTROLESS NICKEL					
CIRCUIT TAB: SILVER					
SIZE	SCALE	DWG.			
A	2X	200-00249			
DD	NDT	SCALE	DRAWING	SHEET	1 OF 1

MATING SUBSTRATE FOR TEST PURPOSES