

All dimensions are in mm; tolerances according to ISO 2768 m-H

Interface

According to SMA IEC 169-15
15K101-40M, RF test switch

Material and plating

Connector parts

Center contact
Outer contact
Outer contact
Inner spring
Insulator

Material

Beryllium copper
Brass
Brass
Stainless steel
PTFE

Plating

Gold, min. 0.8 µm, over chemical nickel
Gold, min. 0.8 µm, over chemical nickel
Gold, min. 0.8 µm, over chemical nickel

Coupling nut
Outer spring

Brass
Stainless steel

Gold, min. 0.15 µm, over chemical nickel

Electrical data

Impedance	50 Ω
Frequency	DC to 6 GHz
Return loss	≤ -28 dB, DC to 2 GHz ≤ -25 dB, 2 to 4 GHz ≤ -21 dB, 4 to 6 GHz
Insulation resistance	≥ 0.5 x10 ³ MΩ
Center contact resistance	≤ 50 mΩ
Outer contact resistance	≤ 50 mΩ
Working voltage	4 V

Mechanical data

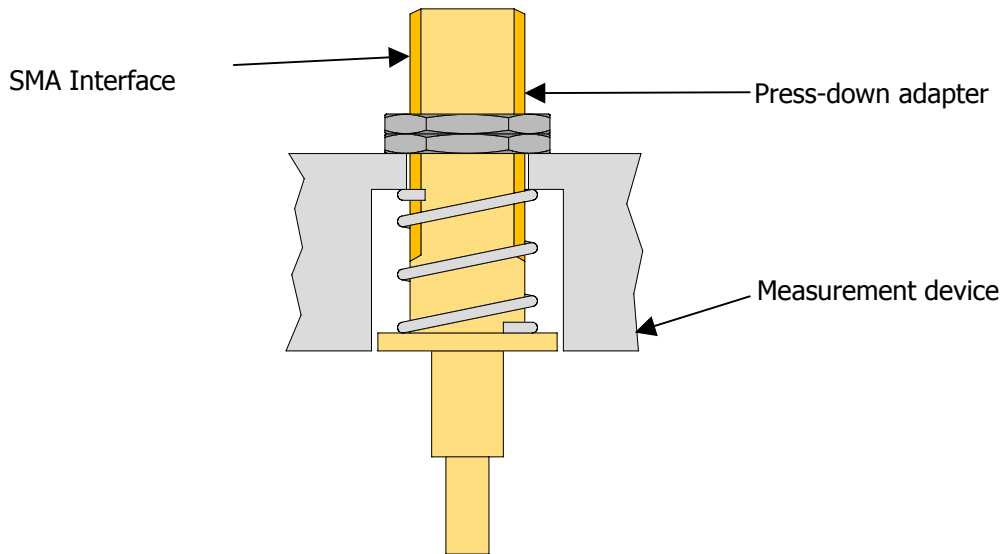
Mating form	Slide-on
Mating cycles	> 200,000
Mating force	≤ 4 N
Unmating force	≥ 2 N

Environmental data

Temperature range	-40°C to 90°C
-------------------	---------------

Installation

Recommendation for the installation



Packing

Standard	1 pcs in plastic bag
----------	----------------------

While the information has been carefully compiled to the best of our knowledge, nothing is intended as representation or warranty on our part and no statement herein shall be construed as recommendation to infringe existing patents. In the effort to improve our products, we reserve the right to make changes judged to be necessary.

Draft	Date	Approved	Date	Rev.	Engineering change number	Name	Date
Michelmann Folke	17/01/06	Michelmann Folke	06/06/06	A00	06-s261	Schichl Markus	06/06/06

Rosenberger Hochfrequenztechnik GmbH & Co. KG
 P.O.Box 1260 D-84526 Tittmoning Germany
www.rosenberger.de

Tel.: +49 8684 18-0
 Fax: +49 8684 18-499
 email: info@rosenberger.de

Page
 2 / 2