

PRODUCT SUMMARY

SKY74310 Broadcast FM Radio Tuner for Portable Applications

Applications

- Cellular handsets
- MP3 players
- PDAs, Notebook PCs
- Portable radios and media players
- Digital photo frames

Features

- Worldwide FM band support (76 to 108 MHz)
- Supports Radio Data Systems and Radio Broadcast Data Systems
- Digital low-IF receiver
- Single chip radio that integrates an RF front end, IF filtering, VCO, FM demodulator, and stereo decoder
- Automatic frequency and gain control
- Signal strength measurement
- Adaptive noise cancellation and soft mute
- Bass boost, treble, and volume controls
- Line-level analog output
- Reference clock (32.768 kHz)
- I²C® slave (100 and 400 kHz) interface
- Three-wire SPI
- Switchable de-emphasis constant, 50 or 75 μs
- Autonomous search tuning function (seek up/down) with programmability (threshold settings)
- Standby mode
- Alignment free operation
- Three software programmable ports with push-pull output

- Hardware interrupt line for flagging FM tuning events
- Integrated LDO regulators
- Selectable digital I/O voltage (1.5 to 3.6 V)
- Supply voltage, 2.7 to 5.5 V
- RFLGA™ (24-pin, 4 x 4 mm) Pb-free (MSL3, 260 °C per JEDEC J-STD-020) package



Skyworks offers lead (Pb)-free, RoHS (Restriction of Hazardous Substances) compliant packaging.

Description

The SKY74310 is a highly integrated, high-performance FM stereo tuner optimized for small form factor, low-power applications. The digital, low Intermediate Frequency (IF) architecture of the device enables on-chip integration of all radio and baseband signal processing, and achieves superior RF performance and audio quality.

Manufactured through cost-effective, advanced CMOS process technology, the SKY74310 tuner offers an unmatched level of integration, requiring no external components.

The SKY74310 includes European Radio Data System (RDS) and U.S. Radio Broadcast Data System (RBDS) functionalities. These features allow text data such as station identification, and song and artist's names to be displayed.

A functional block diagram for the SKY74310 is shown in Figure 1.

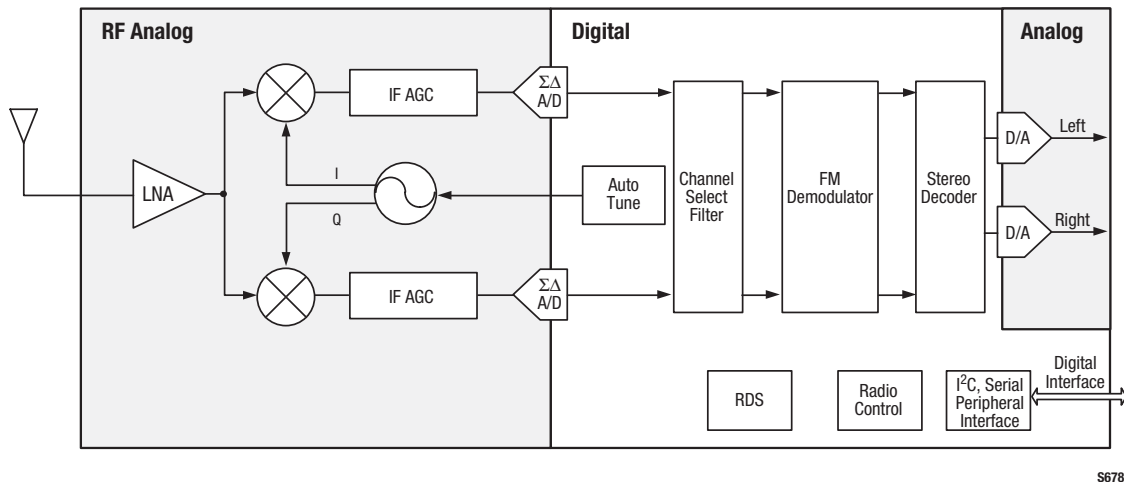


Figure 1. SKY74310 Functional Block Diagram

Ordering Information

Model Name	Manufacturing Part Number	Evaluation Kit Part Number
SKY74310 FM Radio Tuner	SKY74310-xx (Pb-free package)	EN19-D150

Copyright © 2007 Skyworks Solutions, Inc. All Rights Reserved.

Information in this document is provided in connection with Skyworks Solutions, Inc. ("Skyworks") products or services. These materials, including the information contained herein, are provided by Skyworks as a service to its customers and may be used for informational purposes only by the customer. Skyworks assumes no responsibility for errors or omissions in these materials or the information contained herein. Skyworks may change its documentation, products, services, specifications or product descriptions at any time, without notice. Skyworks makes no commitment to update the materials or information and shall have no responsibility whatsoever for conflicts, incompatibilities, or other difficulties arising from any future changes.

No license, whether express, implied, by estoppel or otherwise, is granted to any intellectual property rights by this document. Skyworks assumes no liability for any materials, products or information provided hereunder, including the sale, distribution, reproduction or use of Skyworks products, information or materials, except as may be provided in Skyworks Terms and Conditions of Sale.

THE MATERIALS, PRODUCTS AND INFORMATION ARE PROVIDED "AS IS" WITHOUT WARRANTY OF ANY KIND, WHETHER EXPRESS, IMPLIED, STATUTORY, OR OTHERWISE, INCLUDING FITNESS FOR A PARTICULAR PURPOSE OR USE, MERCHANTABILITY, PERFORMANCE, QUALITY OR NON-INFRINGEMENT OF ANY INTELLECTUAL PROPERTY RIGHT; ALL SUCH WARRANTIES ARE HEREBY EXPRESSLY DISCLAIMED. SKYWORKS DOES NOT WARRANT THE ACCURACY OR COMPLETENESS OF THE INFORMATION, TEXT, GRAPHICS OR OTHER ITEMS CONTAINED WITHIN THESE MATERIALS. SKYWORKS SHALL NOT BE LIABLE FOR ANY DAMAGES, INCLUDING BUT NOT LIMITED TO ANY SPECIAL, INDIRECT, INCIDENTAL, STATUTORY, OR CONSEQUENTIAL DAMAGES, INCLUDING WITHOUT LIMITATION, LOST REVENUES OR LOST PROFITS THAT MAY RESULT FROM THE USE OF THE MATERIALS OR INFORMATION, WHETHER OR NOT THE RECIPIENT OF MATERIALS HAS BEEN ADVISED OF THE POSSIBILITY OF SUCH DAMAGE.

Skyworks products are not intended for use in medical, lifesaving or life-sustaining applications, or other equipment in which the failure of the Skyworks products could lead to personal injury, death, physical or environmental damage. Skyworks customers using or selling Skyworks products for use in such applications do so at their own risk and agree to fully indemnify Skyworks for any damages resulting from such improper use or sale.

Customers are responsible for their products and applications using Skyworks products, which may deviate from published specifications as a result of design defects, errors, or operation of products outside of published parameters or design specifications. Customers should include design and operating safeguards to minimize these and other risks. Skyworks assumes no liability for applications assistance, customer product design, or damage to any equipment resulting from the use of Skyworks products outside of stated published specifications or parameters.

Skyworks, the Skyworks symbol, and "Breakthrough Simplicity" are trademarks or registered trademarks of Skyworks Solutions, Inc., in the United States and other countries. Third-party brands and names are for identification purposes only, and are the property of their respective owners. Additional information, including relevant terms and conditions, posted at www.skyworksinc.com, are incorporated by reference.