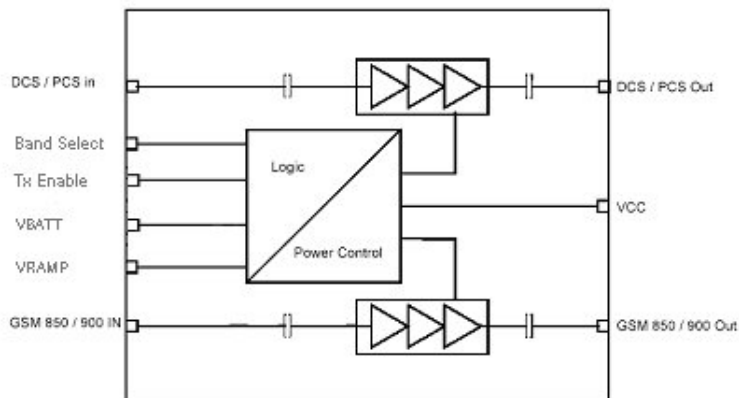


Quad-Band GSM/EDGE Polar Power Amplifier Module

Functional Block Diagram



Product Description

The TQM7M5008 is a small (7x7mm), GSM/EDGE PAM for handset applications. This module has been optimized for excellent EDGE efficiency, ACPR and EVM in an open loop polar modulation environment at EDGE class E2+ operation while maintaining high GSM/GPRS efficiency. The TQM7M5008 has been optimized for operation with next generation Polar Modulation transceivers and chipsets in respect to interface and critical system level specifications alignment.

High reliability is assured by utilizing TriQuint's 3rd generation InGaP HBT technology and by TriQuint's proven module design techniques.

Electrical Specifications

Parameter	850 Band			900 Band			DCS Band			PCS Band		
	Min	Typ	Max	Min	Typ	Max	Min	Typ	Max	Min	Typ	Max
GSM Pout	34.8	35.5		34.5	35.3		32.5	33.9		32.3	33.2	
Efficiency	50	55		48	53		43	50		44	50	
Pin	3	5.5	8	3	5.5	8	3	5.5	8	3	5.5	8
EDGE Pout		29			29			28			28	
Efficiency		20			25			25			26	
ACPR (400KHz)			-58			-58			-58			-58
Pin		3			5.5			5.5			5.5	

Data Sheet: Subject to change without notice

For additional information and latest specifications, see our website: www.triquint.com

Revision G – June 1, 2007

Features

- GSM/EDGE Multi-Mode Capability
- Optimized for Operation with Polar Modulation transceivers
- - 87dBm typical Rx Noise
- - 38dB Typical ACPR (200KHz)
- - 66dB Typical ACPR (400 KHz)
- - 76dB Typical ACPR (600 KHz)
- 1% Typical EVM rms
- > 50dB Typical Dynamic Range
- GPRS Class 12
- Internally Matched Input and Output
- RoHS, MSL260C pending

Applications

- GSM/EDGE Handsets
- GSM/EDGE Wireless Cards and Data Links

Package Style

Package Size: LGA 7 x 7 x 1.1 mm
Top View

