

DESCRIPTION

The TES6000-30 is a Laboratory-quality, RF SPDT Switch with 30dB isolation and only 2dB insertion loss at 6GHz. The switch is reflective at all ports

The TES6000-30 is the smallest USB microwave switch available and is also priced significantly below the current market offerings.

The TES6000-30 has a pulse function selectable from a menu, this switches at a constant pulse width of 100uS with a repetition rate of 1KHz. Custom pulse configurations available from factory.

Applications include switching between two RF sources or loads and pulse modulation for amplifier testing. The optional HUB allows the switch to remain in a given state even after the host PC is removed from the system.

The switch also contains 0.5GB of flash memory used for installation files, test data and other supporting documentation. Drivers, utilities and documentation are available on the switch itself.

CALIBRATION

Full test data performed at the factory results are stored on the each unit in Flash.



RF DESIGN SERVICES



TES6000-30

Rev 1 Sept 2009

BENEFITS



30dB Isolation @4GHz

USB interface

100MHz to 6GHz

FEATURES



Low Insertion Loss

Fast switching speed

Reflective

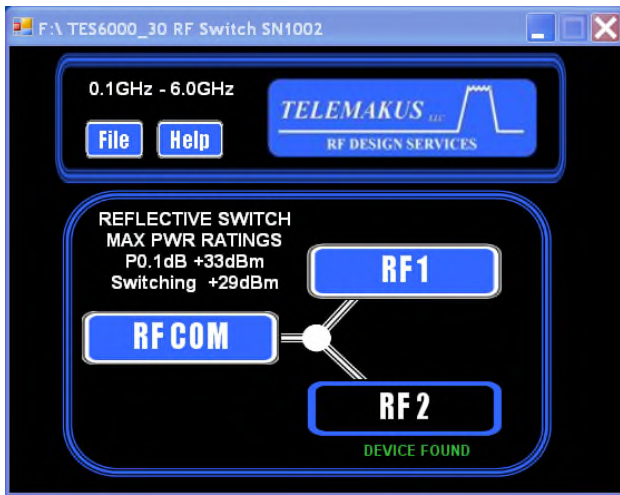
1 dB CW +29dBm

PC Software supported

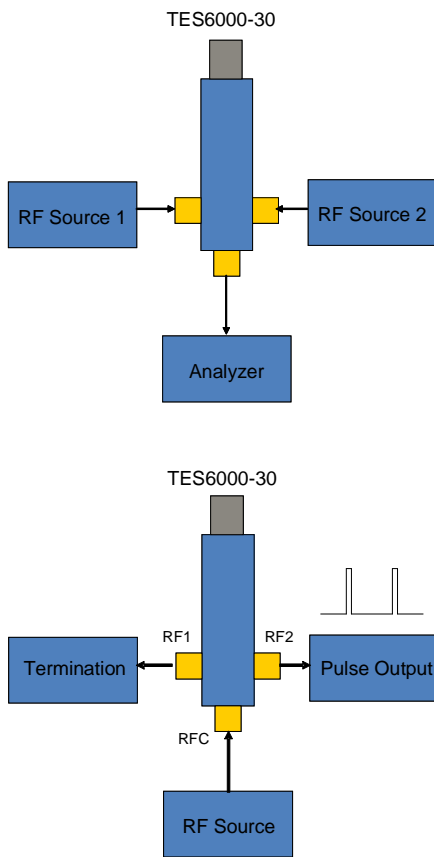


Phone: 916 458 6346
Fax: 916 983 8713
Email: mail@telemakus.com
www.telemakus.com

Primary Business Address
13405 Folsom Blvd #502
F O L S O M
C A , 9 5 6 3 0



Easy to use graphic interface with push button controls



Typical Configurations



TES6000-30 Rev I Sept

Ordering information

Model	Frequency	Max Input
TES6000-30	100MHz to 6GHz	+33dBm

Specifications

Parameter	Specification
Freq Range	100MHz to 6GHz
Isolation	30dB @ 4GHz
Interface	USB 2.0
Current	150mA @5V Vbus(USB)
High IP3	+49dBm @ 6GHz
Insertion Loss	<2dB
P0.1dB	33dBm
Max Switching Power	29dBm
Switching Time (10/90% RF)	33nS
Return Loss	-20dB @ 4GHz
RF Common Connector	SMA Male
RF1 and RF2 Connector	SMA Female
USB Connector	Mini A

Environmental		
Temperature Range	-40 to +55 degC	

Not Environmentally sealed		
-----------------------------------	--	--

Phone: 916 458 6346
 Fax: 916 983 8713
 Email: mail@telemakus.com
 www.telemakus.com

Primary Business Address
 13405 Folsom Blvd #502
 Folsom
 CA, 95630