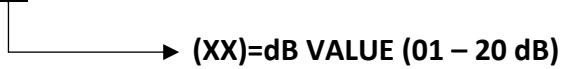


ORDERING INFORMATION**PART IDENTIFIER: 54XX**


(XX)=dB VALUE (01 – 20 dB)

ENGINEERING NOTES: Assembly DWG: 1700324**SPECIFICATIONS****1. ELECTRICAL:**

Nominal Impedance:	50 Ω
Frequency Range:	DC – 2.5 GHz
Attenuation Values Available:	1-20 dB in 1 dB Increments
Attenuation Accuracy @ 1 GHz:	1 – 10 dB, ±0.5 dB 11 – 20 dB, ±1.0 dB
Power Dissipation (Max @ 100°C):	Average: 20 Watts Peak: 200 Watts for 10μS Pulse Width @ 1% Duty Cycle
VSWR:	DC – 1 GHz 1.15 Max 1.1 – 2.5 GHz 1.35 Max

2. ENVIRONMENTAL:

Temperature Range:	Storage: -65°C to +150°C Operating: -55°C to +150°C
--------------------	--

3. MARKING:

Unit Marking:	Logo and Part Identifier; Legibility and Permanency per MIL-STD-130.
---------------	--

4. QUALITY ASSURANCE:

Sample inspect per ANSI/ASQC Z1.4, General Inspection, Level II, AQL=1.0.
Visual and mechanical examination for conformance to MIL-PRF-55342 and control drawing requirements.

Inspection in accordance with 824W1780 and 824F036 for commercial grade product.

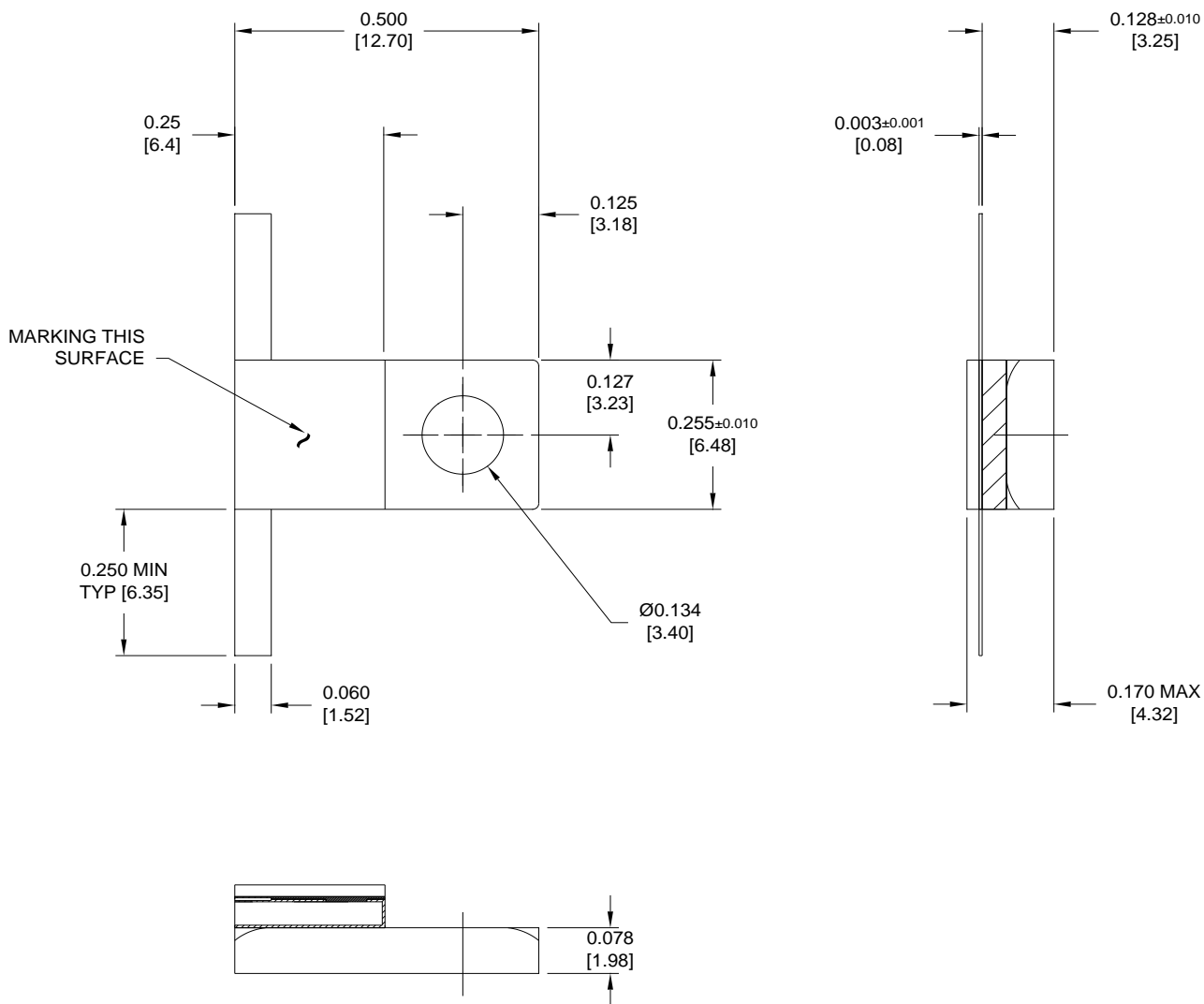
Data Requirements:
No test data required for customer.
Data Retention: 24 months.

5. PACKAGING:

Standard Pack per 755W002.

6. MECHANICAL:

Chip Material: Beryllia, ASTM F356.
 Top Plate Material: Alumina, MIL- I -10.
 Tab Material: Brass, ASTM B36.
 Tab Finish: Gold, MIL-G-45204, Type II, Class 1.
 Heat Sink Material: Copper, ASTM B187.
 Heat Sink Finish: Nickel, QQ-N-290.
 Metric Dimensions [mm]: Provide for reference information only.
 Allow ±0.010 on Top Plate for misalignment.



Unless Otherwise Specified Dimensions are in Inches: Tolerance X.XX = ±0.01 X.XXX = ±0.005