

6924-9

C

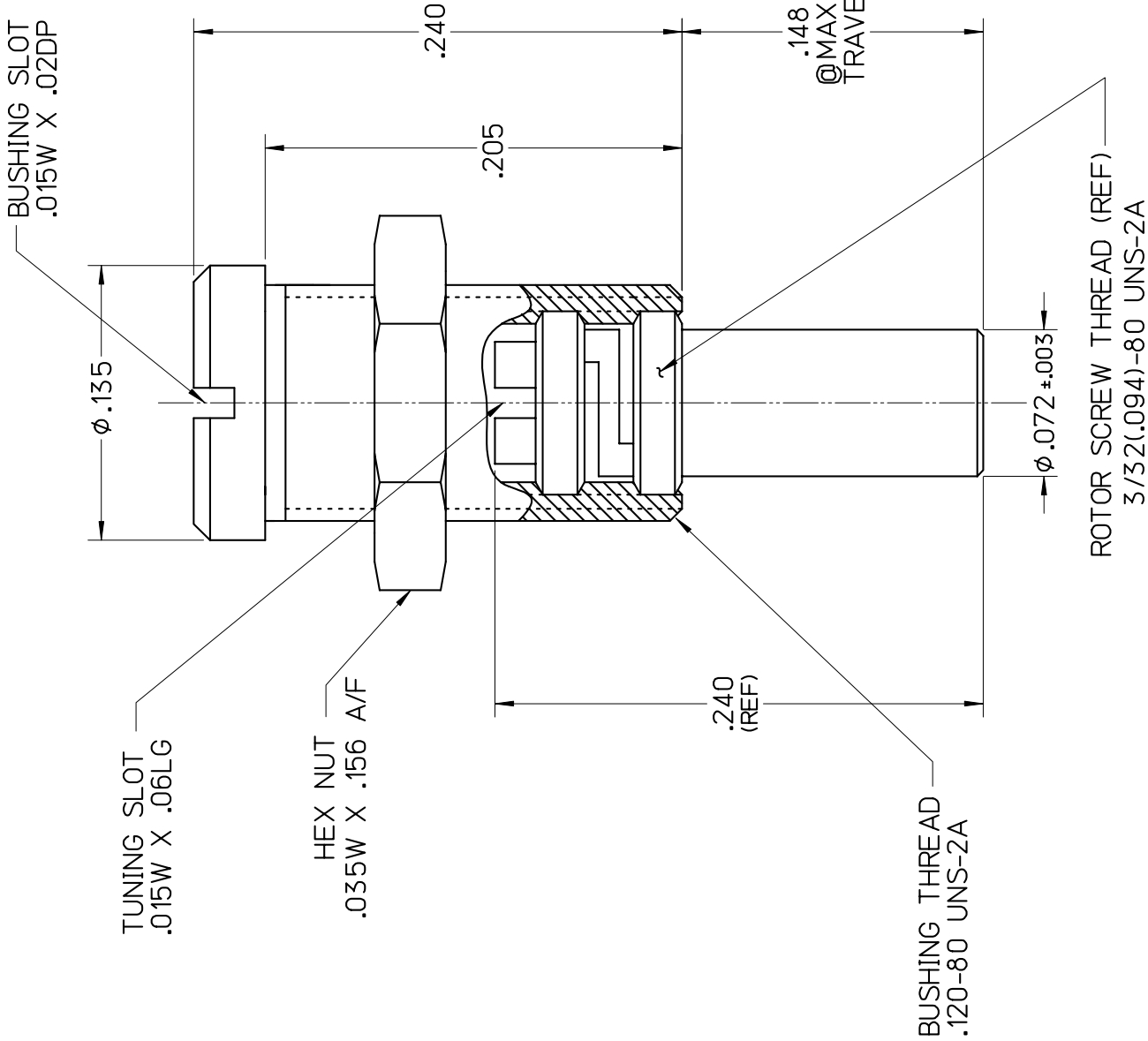
TUNING ELEMENT

SPECIFICATIONS FILE: AIROUT

LOW CONTACT RESISTANCE	< 0.01 OHMS
ROTATIONAL LIFE	> 1000 REVOLUTIONS
TUNING	0.3 TO 3.0 OZ. IN.
NUT MOUNTING	10 OZ. IN. MAX
CLEARANCE HOLE	$\phi \frac{.125}{.123}$
THREADED HOLE	JMC TAP P/N 7060 (.120-80 UNS-2)
CONCENTRICITY	WITHIN .002 T.I.R.

BRASS STRUCTURE

APPLICATIONS:
FOR HIGH Q VARIABLE REACTANCE TUNING OF MICROWAVE CAVITIES, FILTERS, AND OTHER RESONANT STRUCTURES.



ROTOR SCREW THREAD (REF)
3/32(.094)-80 UNS-2A

C	01/02/02	MLD	TAM	JHT	010-134
B	06/04/01	MLD	-	-	010-073
LEVEL	DATE	DRN.	CHK.	APP.	ECN
REVISIONS					
DRN.	MLD	CHK.	MAI	APP.	JHT
DATE	DATE	DATE	DATE	DATE	SCALE
06/04/01	06/07/01	06/19/01	06/19/01	06/19/01	12"=1"
					.XX ± .015
					.XXX ± .005

Johanson
JOHANSON MANUFACTURING CORPORATION
 ROCKAWAY VALLEY ROAD, BOONTON, N.J. 07005 (973)334-2676 FAX (973)334-2954
 ELECTRONIC ACCURACY THROUGH MECHANICAL PRECISION
 PROPRIETARY INFORMATION CONTAINED NOT TO BE USED WITHOUT JOHANSON MANUFACTURING CORPORATION APPROVAL