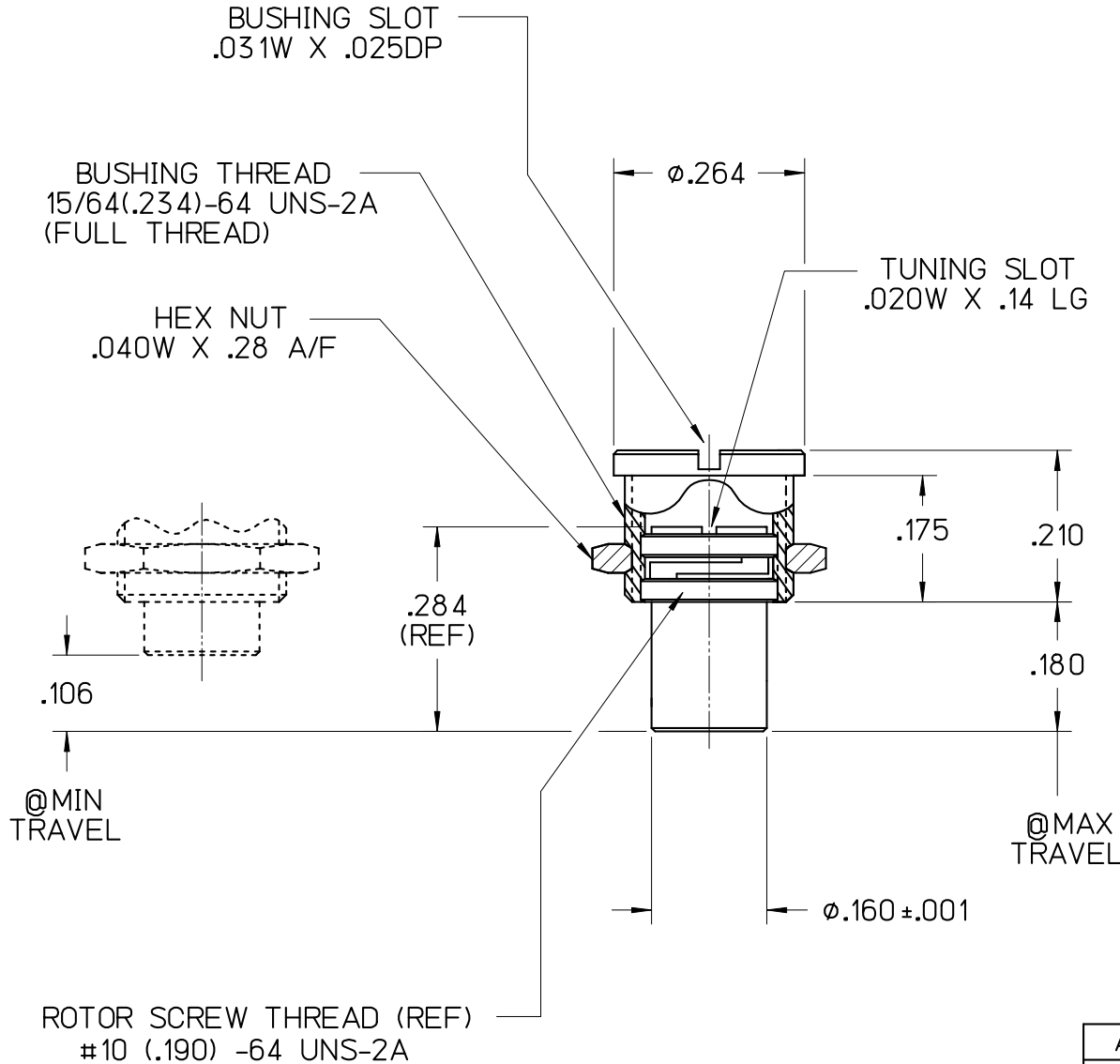


# 6926-32 A

## TUNING ELEMENT



SPECIFICATIONS		FILE: AIROUT
LOW CONTACT RESISTANCE	< 0.01 OHMS	
ROTATIONAL LIFE	> 1000 REVOLUTIONS	
TORQUE	TUNING	1.0 TO 5.0 OZ. IN
	NUT MOUNTING	50 OZ. IN. MAX
MOUNTING	CLEARANCE HOLE	$\phi \frac{.240}{.238}$
	THREADED HOLE	JMC TAP P/N 7062 (.234-64 UNS-2)

BRASS STRUCTURE

APPLICATIONS:  
FOR HIGH Q VARIABLE REACTANCE TUNING OF MICROWAVE CAVITIES, FILTERS, AND OTHER RESONANT STRUCTURES.

LEVEL	DATE	DRN.	CHK.	APP.	ECN
A	6/17/25	MAI	-	-	25-003

REVISIONS

DRN.	CHK.	APP.	SCALE
MAI	MAI	MAI	4" = 1"
DATE	DATE	DATE	
6/18/25	6/18/25	6/18/25	.XX ± .015 .XXX ± .005



DLI - Johanson MFG - Novacap - Syfer - Voltronics

**Knowles Cazenovia**  
2777 Route 20 East  
Cazenovia, NY 13035