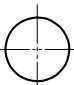
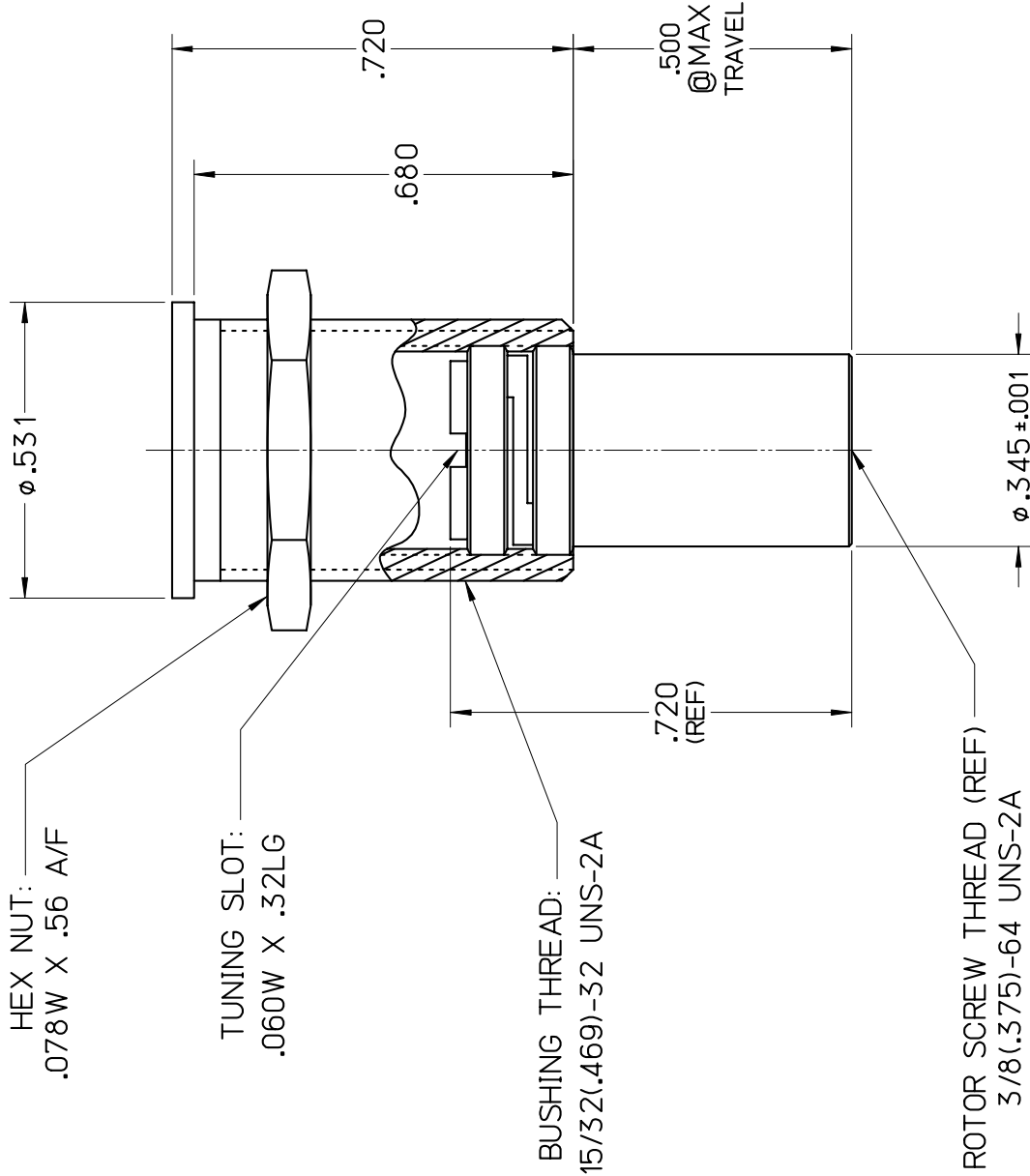


6965-0 C

TUNING ELEMENT

SPECIFICATIONS		FILE: AIROUT
LOW CONTACT RESISTANCE	< 0.01 OHMS	
ROTATIONAL LIFE	> 1000 REVOLUTIONS	
TUNING TORQUE	1.0 TO 8.0 OZ. IN.	
MOUNTING	CLEARANCE HOLE	$\phi \frac{.474}{.472}$ 
	THREADED HOLE	.469-32 UNS-2
BRASS STRUCTURE		
APPLICATIONS: FOR HIGH Q VARIABLE REACTANCE TUNING OF MICROWAVE CAVITIES, FILTERS, AND OTHER RESONANT STRUCTURES.		



C	05/07/02	MLD	-	-	020-041
LEVEL	DATE	DRN.	CHK.	APP.	ECN
REVISIONS					
DRN.	MLD	CHK.	TAM	APP.	JHT
DATE	DATE	DATE	DATE	DATE	SCALE
05/07/02	05/08/02	05/08/02	05/08/02	05/08/02	3" = 1"
					.XX ± .015
					.XXX ± .005

JOHANSON MANUFACTURING CORPORATION
 ROCKAWAY VALLEY ROAD, BOONTON, N.J. 07005 (973)334-2676 FAX (973)334-2954
 ELECTRONIC ACCURACY THROUGH MECHANICAL PRECISION



PROPRIETARY INFORMATION CONTAINED NOT TO BE USED WITHOUT JOHANSON MANUFACTURING CORPORATION APPROVAL