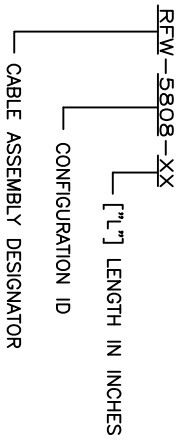
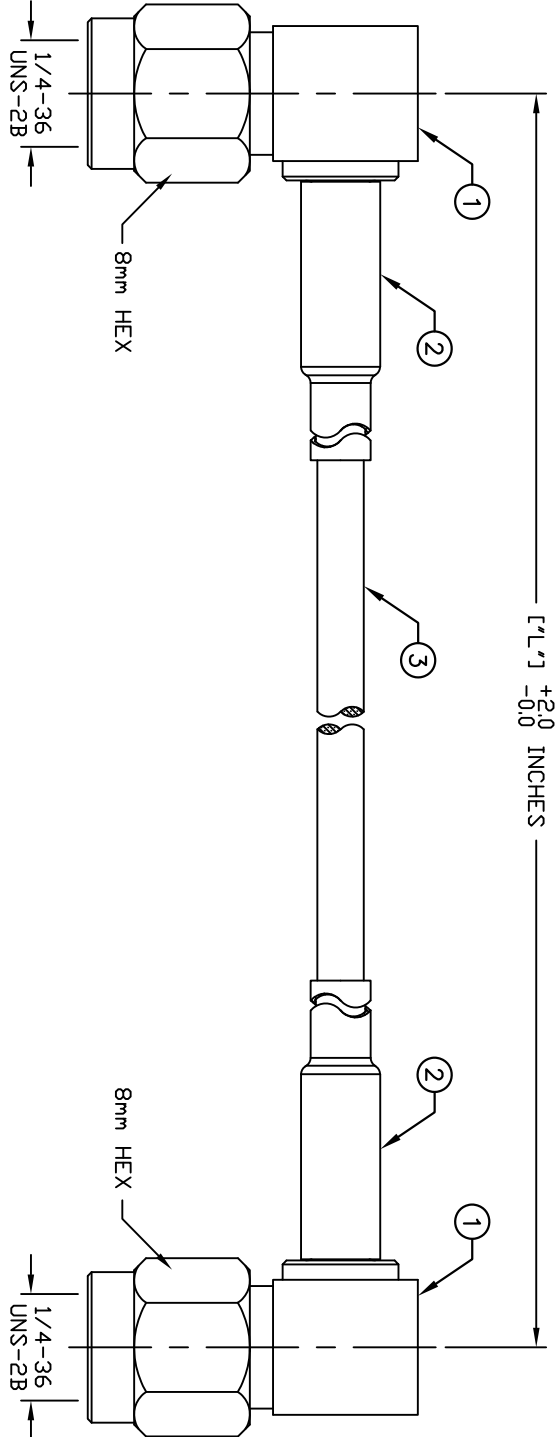


PART NO.

RFW-5808-XX

REV	DESCRIPTION	DWN	DATE	APPROVED
—	ENGINEERING RELEASE	CZ	03/31/23	JDMc



STANDARD CABLE LENGTHS [L']:

- 12 [1 FOOT]
- 24 [2 FEET]
- 36 [3 FEET]
- 48 [4 FEET]
- 60 [5 FEET]
- 72 [6 FEET]

FOR CUSTOM LENGTHS REPLACE XX FOR NUMBER OF INCHES

SPECIFICATIONS:


IMPEDANCE: 50 Ohms
 TEMPERATURE RANGE: -55°C TO 85°C

#	PART NUMBER	QTY	DESCRIPTION	FINISH
3	CBL-316U-DS-LF	1	RG-316/U DBL SHIELDED	BLACK
2	ST-P0187A-K	2	HEAT SHRINK TUBING	BLACK
1	RSA-3010-B1	2	SMA MALE RIGHT ANGLE	NICKEL

CUSTOMER OUTLINE DRAWING	
ALL DIMENSIONS ARE REFERENCE ONLY	UNLESS OTHERWISE SPECIFIED: DIMENSIONS ARE IN INCHES AND [MILLIMETERS]
DRAWN C. ZUNIGA	03/31/23
CHECKED	
ORU DRAWN C. ZUNIGA	03/31/23

PROPRIETARY AND CONFIDENTIAL

THIS DRAWING CONTAINS INFORMATION PROPRIETARY TO RF INDUSTRIES. ANY UNAUTHORIZED USE OF THIS DRAWING IS EXPRESSLY PROHIBITED WITHOUT WRITTEN PERMISSION FROM RF INDUSTRIES. ANY VIOLATION IS PUNISHABLE UNDER U.S. COPYRIGHT LAWS.



RF Industries
 DIVISION OF RF INDUSTRIES, LTD. SAN DIEGO, CALIFORNIA

RFINDUSTRIES.COM (858) 549-6340
 RF@RFINDUSTRIES.COM

SMA MALE R/A TO SMA MALE R/A CABLE ASSEMBLY

DWG # **RFW-5808-XX**

CABLE GROUP B1 CONTROL # 000000 SCALE FORMAT A SHEET 1 OF 1 REVISION