

RFMW[®]

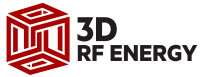
Product Guide

Strategically Aligned Distribution
With World-leading Manufacturers
in RF, Microwave, and Power



NOW Carrying Power Management Products

RFMW Premier Suppliers



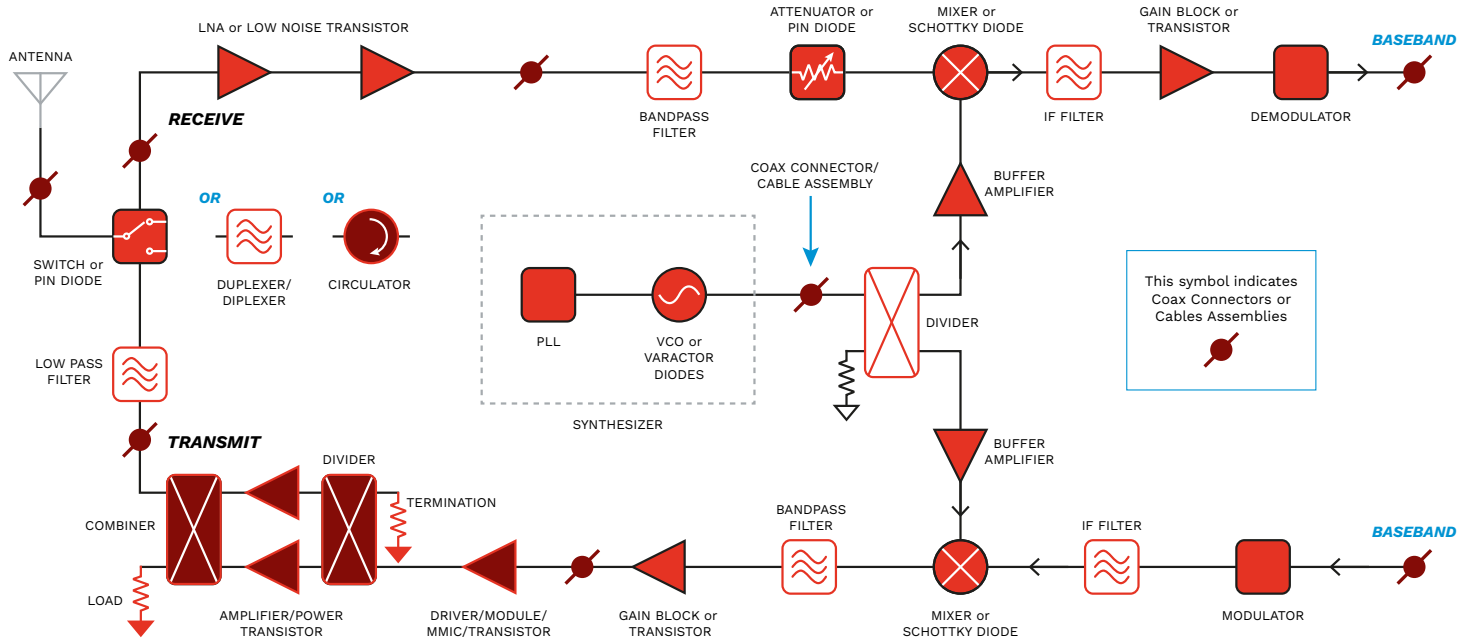
Rosenberger



San-tron



RF Transceiver Block Diagram



RFMW Value-Added Services

We provide many value-added services driven by customer requirements:

- Custom Product Development
 - RF & MW Small Signal Active Devices
 - RF & MW High Power >2W
 - RF & MW Interconnects/Cables/Test Accessories
 - RF & MW Passive Components
 - RF & MW Test & Measurement (Coaxial)
- Wireless Design Services
(Cellular, WiFi, BT, GPS, LORA and more)
 - Engineering & Development
 - Inspection & Failure Analysis
 - Certification & Validation
- Die Services
 - DC Probe
 - Die Package in Waffle or Gel Packs
 - Die Storage
 - Die Visual
- Electrical Test Capabilities
 - RF Power Testing
 - RF / DC Test and Sort
- Hi-Rel & Environmental Screening
- Packaging
 - Transistor & MMIC Die
 - Standard or Custom Packaging
- Material-Related Services
 - Tape & Reel
 - Lead Trim & Form
 - Solder Tinning
 - Kitting
 - Custom Part Marking
- Hybrid Assembly
 - Custom & Build-to-Print



Amplifier Solutions
 APA Wireless
 CML Microelectronics
 Guerrilla RF
 Keysight
 MACOM Metelics
 Marki Microwave
 Menlo Micro
 Microchip
 Microcross
 MWT, Inc.
 NXP
 PIdB
 pSemi
 Qorvo
 Renesas
 RF-Lambda
 SemiGen
 Spectrum Control

RF & MW Small Signal Active

Amplifiers/Gain Blocks/LNAs	•		•	•	•		•		•	•	•	•		•	•	•		•	
Attenuators				•	•		•		•	•				•	•	•	•		•
Beamformers												•		•		•			
Clock Sources		•																	
Comb Generators							•	•		•									
Diodes					•	•			•		•	•	•					•	•
Frequency Doublers					•		•								•				
Front-End Modules (FEMs)														•	•	•			
Mixers/Frequency Converters					•	•		•				•	•	•	•	•			•
Modulators/Demodulators			•												•				
Power Detectors					•													•	
Power Limiters					•		•							•	•			•	
Prescalers					•				•					•					
RFICs/MMICs			•	•			•		•		•	•	•		•				
Switches				•		•		•	•	•				•	•	•	•	•	•
Transistors									•	•	•	•			•				
VCO/PLL/Synthesizer		•	•													•			•



Aethercomm
 Ampleon
 Amplifier Solutions
 DiTom
 Elite RF
 Guerrilla RF
 MACOM Metelics
 Marki Microwave
 MECA Electronics
 Menlo Micro
 Microchip
 MWT, Inc.
 NXP
 PtdB
 pSemi
 Qorvo
 RfCI
 RF-Lambda
 RFUW
 Smiths Interconnect
 Spectrum Control
 TTM (Anaren)
 XSYSTOR, Inc.

RF & MW High Power >2W

Amplifiers/Modules	•	•	•		•	•						•	•	•	•					•		
Amplifier MMICs		•										•	•		•							
Circulators/Isolators				•										•	•				•		•	
GaN Control Modules																						•
GaN Voltage Switches																						•
Iso-Attenuators															•							
Limiters							•	•						•	•		•	•		•		
Power Dividers/Couplers/Combiners								•	•					•			•		•	•	•	
Resistors/Attenuators/Terminations									•					•					•	•	•	
RF Power Transistors		•																				
Switches	•					•								•	•				•		•	



	3D RF Energy	Anritsu	Carlisle	Delta Electronics	DiTom	Eclipse	Elite RF	Leanfa	Marki Microwave	Meca	PtdB	Radiall/AEP	RFCI	RF Industries	RF-Lambda	Rosenberger	San-Tron	Smiths Interconnect	Spectrum Control	XMA
--	--------------	---------	----------	-------------------	-------	---------	----------	--------	-----------------	------	------	-------------	------	---------------	-----------	-------------	----------	---------------------	------------------	-----

RF Test and Measurement / Coaxial

Adapters			•	•					•	•	•	•		•	•	•	•	•		
Amplifiers/Gain Blocks/LNAs	•					•	•	•	•	•					•					
Attenuators/Terminations		•							•	•	•	•		•	•	•		•	•	•
Baluns									•		•									
Bias Tees									•		•									
Cable Assemblies, General Purpose and Custom			•	•						•	•	•		•		•	•	•		
Circulators/Isolators					•					•			•							
Couplers		•				•			•	•	•	•		•					•	•
DC Blocks			•						•	•	•				•				•	•
Detectors						•									•					
Equalizers						•			•	•								•	•	•
Filters									•						•			•	•	
Frequency Doublers						•			•											
Limiters						•			•										•	
Mixers						•			•											
Phase Shifters									•						•				•	
Power Dividers		•				•			•	•	•	•			•				•	•
Pulse Inverter									•											
Switches						•						•							•	
Test & Measurement Assessories		•	•	•					•		•	•				•	•	•	•	•
Test & Measurement Precision Cables		•	•	•						•	•	•		•	•	•	•	•		

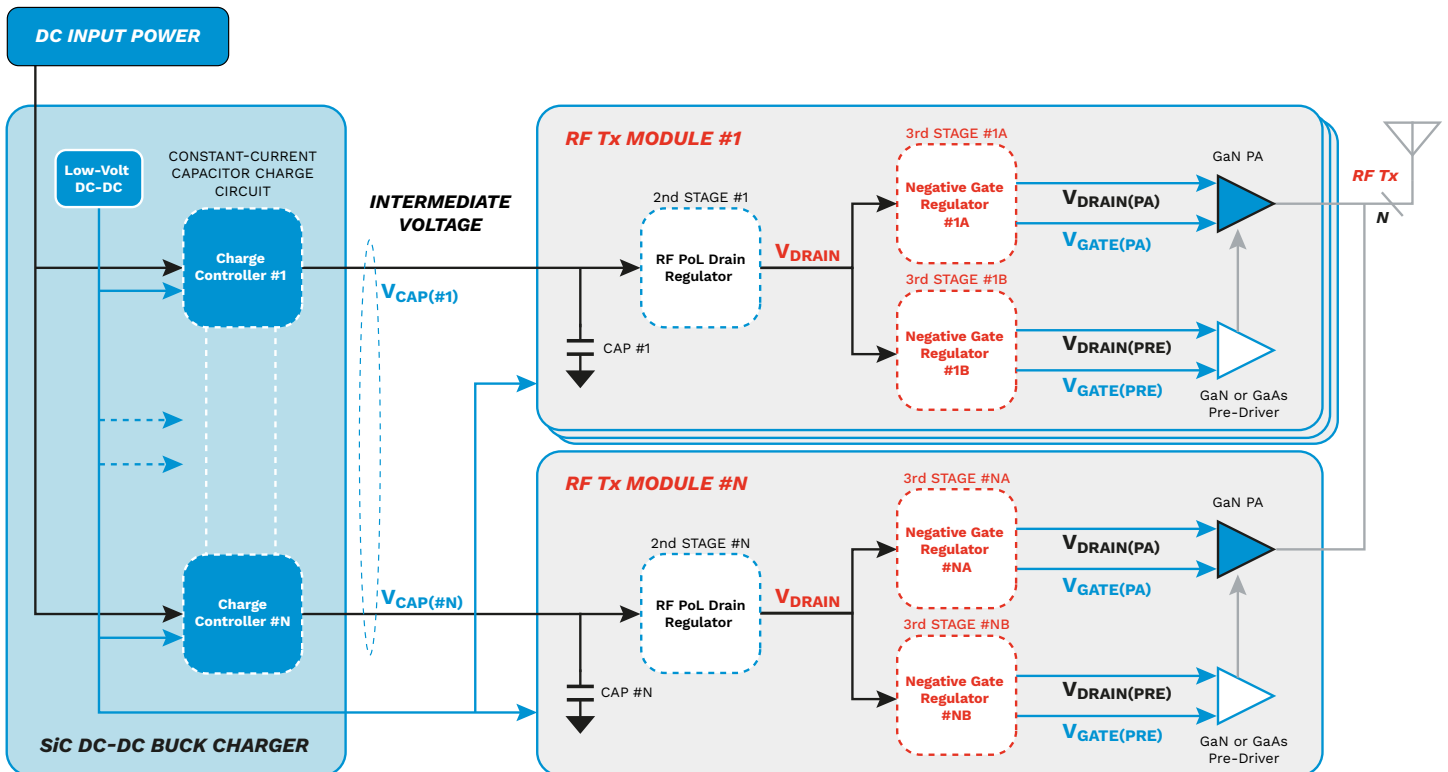
RF Interconnect / Coaxial Products / Cables

Adapters		•	•	•							•	•		•	•	•	•	•	•	•
Cable Assemblies, General Purpose and Custom			•	•						•	•	•		•		•	•	•		
Coaxial Attenuators/Terminations		•							•	•	•	•		•	•	•	•	•	•	•
RF Interconnect		•	•	•						•	•			•		•				

RFMW offers power solutions ranging from a few watts to hundreds of kilowatts for a wide variety of industrial, commercial, military and consumer applications. Advanced products and technologies allow for new levels of efficiency, weight, and density in power conversion and control designs. From highly integrated and flexible modular PMIC's, power application controllers and PoL regulators to advanced wide bandgap technology SiC FETs and MPS diodes, RFMW offers products for your design needs.



Pulsed Phased Array Radar Power Solution





Power Semiconductors

	Knowles - DLI	Knowles - Novacap	Knowles - Syfer	Menlo Micro	MRC Components	Qorvo	Qorvo UnitedSiC
Battery Charger ICs						•	
DC-DC Converters						•	
Intelligent Battery Monitoring Solutions						•	
Intelligent Motor Controllers						•	
MEMS High Voltage Driver				•			
Modular PMIC						•	
Power Loss Protection						•	
SiC Diodes							•
SiC FETs							•
SiC JFETs							•
Smart Power Relay				•			

Power Management for RF

Constant Current Capacitor Charger						•	
RF PoL DC-DC Controller						•	
Negative Gate Regulator for GaN & GaAs						•	

Power Passive and Electromechanical

Common Mode Chokes					•		
EMI Filter and X2Y Capacitors			•				
High Voltage MLC Capacitors		•	•				
High-Q (RF) Capacitors	•		•				
Magnetic Cores					•		
MEMS Power Switch				•			
MLC Capacitors		•	•				
Safety Certified AC Capacitors			•				
Stacked MLC Capacitors		•					

From Introduction to Production, RFMW is Your Source.

RFMW has been the premier RF & Microwave and specialty distributor for 20 years. And now we're adding **Power Management** to our portfolio. From introduction to production, our team of experts support your component selection, technical design and fulfillment needs.

RFMW supports full supply chain services including dedicated supply chain management support & logistics, VMI, consignment, partial reels, tape and reel, and additional capabilities.

RFMW STOCKS PRODUCTS IN WORLDWIDE DISTRIBUTION CENTERS FOR FAST DELIVERY



Available
from Stock

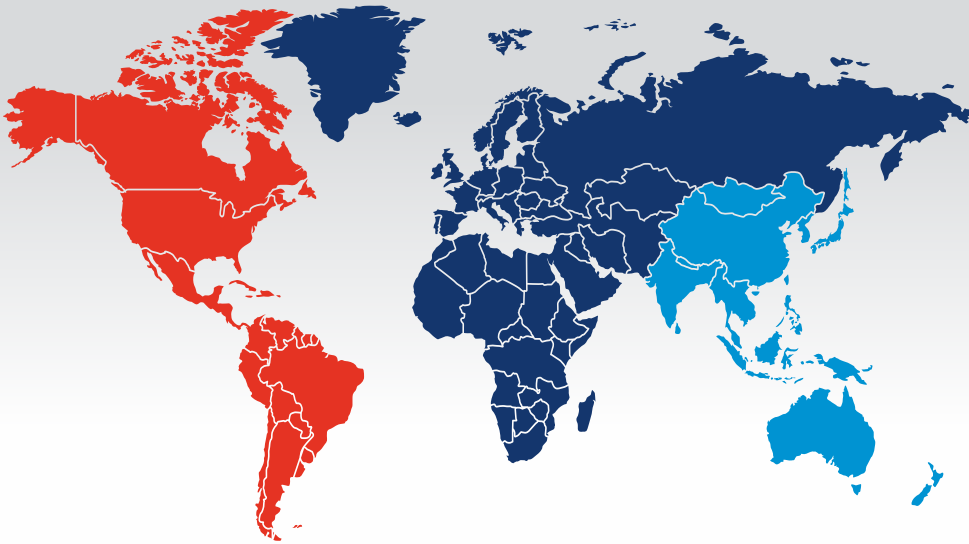


Worldwide
Distribution



Technical
Design

RFMW Worldwide Sales Support



RFMW AMERICAS

sales@rfmw.com

RFMW EUROPE, MIDDLE EAST & AFRICA

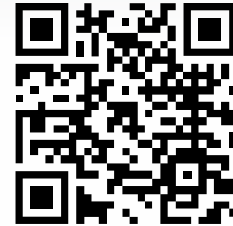
sales@rfmw.co.uk

sales@rfmw.eu

israelw@rfmw.com

RFMW ASIA PACIFIC

sales@rfmw.asia



Visit our Contact Page for
your local office information.



www.RFMW.com



Toll Free: +1-877-367-7369



Sales@RFMW.com



ISO 9001:2015 / AS9120B



RFMW®



RFMW®

RF and Microwave



RFMW®

Power Management