

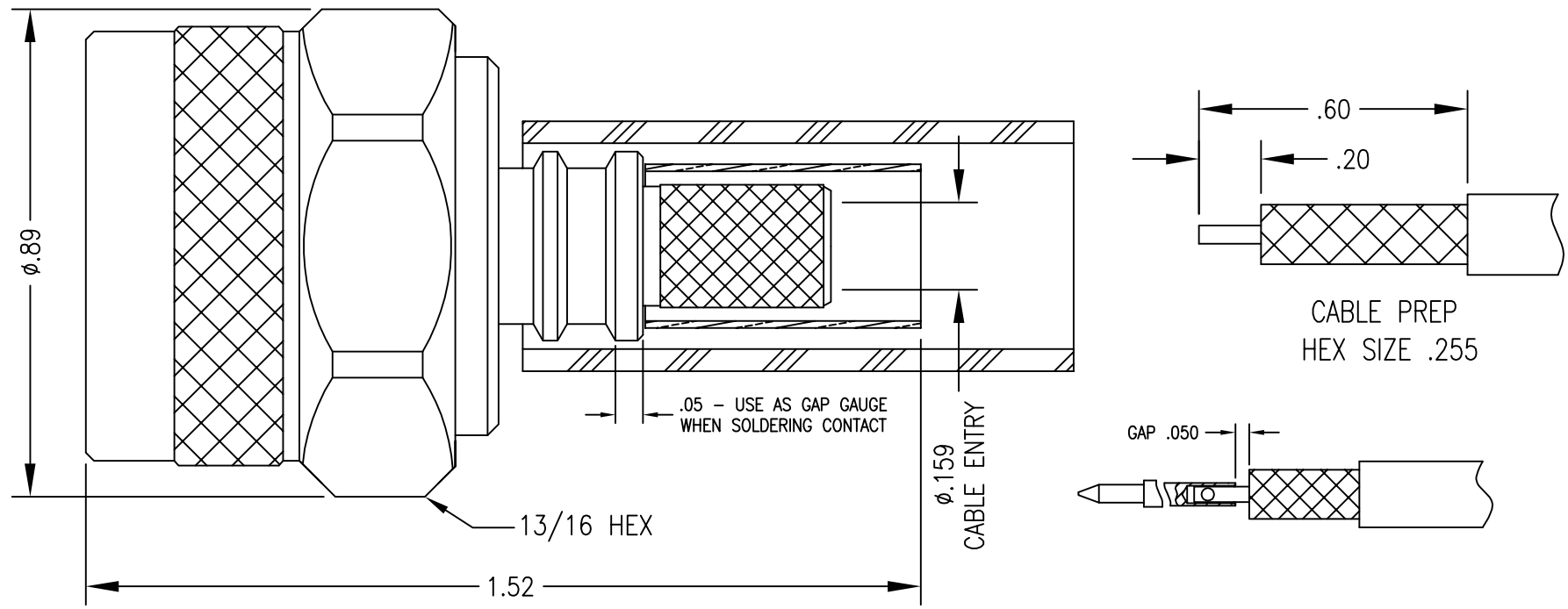
DWG NO. OL-0401-292-1		REV. A
PART NUMBER 0401-292-AJ	BODY ALBALOY	CONTACT GOLD/NI
PLATING PER SANTRON 7.3.1-8		

- 1.0 PERFORMANCE  
 1.1 FREQUENCY RANGE: DC-6 GHz  
 1.2 NOMINAL IMPEDANCE: 50 OHMS  
 1.3 DWV: 750 VRMS @ 60 Hz (SEA LEVEL)  
 1.4 TEMPERATURE RANGE: -65°C TO +165°C

- 2.0 MATERIALS  
 2.1 DIELECTRIC: PTFE  
 2.2 CONTACT: BRASS  
 2.3 LOCKING RING: PHOSPHOR BRONZE  
 2.4 CRIMP FERRULE: SOFT COPPER  
 2.5 OTHER METAL PARTS: BRASS  
 2.6 GASKET: SILICONE RUBBER  
 2.7 HEAT SHRINK: POLYOLEFIN THICK WALL

- 3.0 FINISHES: SEE TABLE  
 4.0 MECHANICAL  
 4.1 INTERFACE PER MIL-STD-348

DO NOT SCALE DRAWING



Rev.	Revisions	NEW	12/13/12		
A	ORIGINAL				
Ref.:	0401-249	REMOVE ALL BURRS AND SHARP EDGES .005 MAX.	INTERPRET PER ASME Y14.5M-1994		

THIS DRAWING CONTAINS CONFIDENTIAL INFORMATION PROPRIETARY TO SAN-TRON, INC. IT MUST NOT BE REPRODUCED OR DISCLOSED TO OTHERS OR USED IN ANY OTHER WAY, IN WHOLE OR PART EXCEPT AS AUTHORIZED IN WRITING BY SAN-TRON, INC.

UNLESS OTHERWISE SPECIFIED:  
 ALL DIMENSIONS ARE IN INCHES.  
 ALL DIMENSIONS ARE AFTER PLATING.  
 .XXX = ±.005 ALL MACHINED SURFACES <sup>63</sup>/ MAX.  
 .XX = ±.01 ANG. ±1/2° FRACTIONAL = ±1/64

Ⓢ.004 MAX. TIR.    ⊥ AXIS .001

THIRD ANGLE PROJECTION

DWN	PRS	1/19/12
CHKD	FSH	12/13/12
APPR	FSH	12/13/12

**SAN-TRON, INC.**  
 4 NEWBURYPORT TPK. IPSWICH MA USA 01938  
 TEL: 978-356-1585 FAX: 978-356-1573  
 WWW.SANTRON.COM E MAIL: SANTRON@SANTRON.COM

**San-Tron**

TITLE: N PLUG, STRAIGHT, CRIMP FOR LMR-240 CABLE

MATERIAL: SEE NOTES    FINISH: SEE TABLE

CAGE CODE: 50896    DWG NO. OL-0401-292-1    REV. A

SCALE: X:X