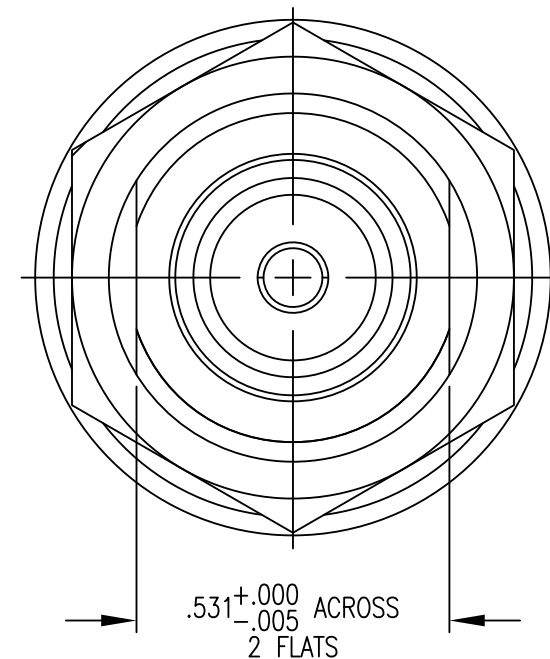
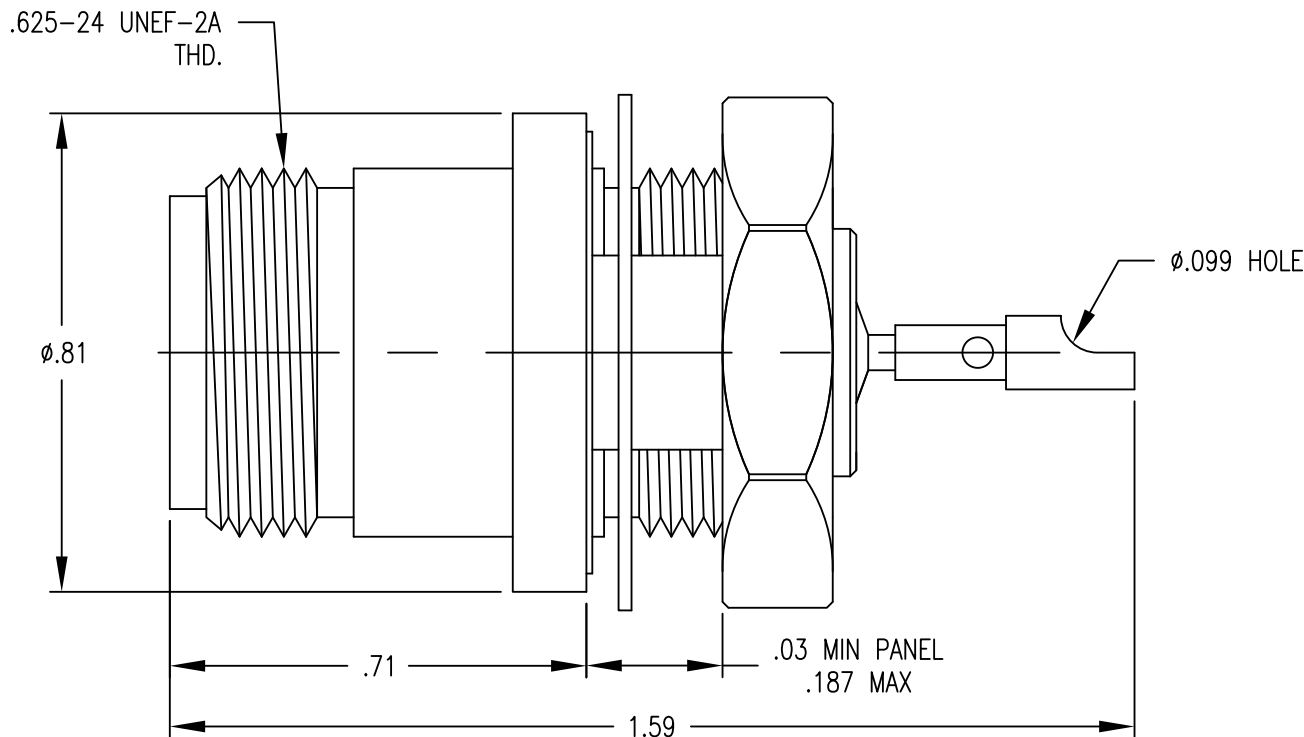


- 1.0 PERFORMANCE  
 1.1 NOMINAL IMPEDANCE: 50 OHMS  
 1.2 DWV: 2500Vrms, 60 Hz  
 1.3 TEMPERATURE RANGE: -65/+165C  
 1.4 SEAL: 30 PSIG

- 2.0 MATERIALS  
 2.1 CONTACT: BeCu  
 2.2 LOCKWASHER: PHOSPHOR BRONZE  
 2.3 GASKET: SEE TABLE  
 2.4 SEAL: CORNING #7052  
       Ni STEEL CONTACT  
       C.R. STEEL RING  
 2.5 BODY: BRASS

- 3.0 FINISHES  
 SEE TABLE  
 4.0 MECHANICAL  
 4.1 INTERFACE PER MIL-STD-348  
 4.2 DURABILITY: 500 CYCLES

DWG NO. OL-680-1			REV. D
PART NUMBER	BODY	CONTACT	GASKET
UG-680^M1-NS	NICKEL	SILVER	Buna-N
UG-680/U	NICKEL	SILVER	Si RUBBER
UG-680A/U	NICKEL	SILVER	Si RUBBER
UG-680A/U^SI	SILVER	SILVER	Si RUBBER



Rev.	Revisions	Date	Dwn.	Appd.
D	ADD M1 (BUNA-N)	3/4/13	FSH	FSH
C	+ UG-680/U SAME AS -680A/U	10/22/07	FSH	FSH
B	REDRAWN TO REFLECT ACTUAL	3/15/04	DT	FSH
A	ORIGINAL	7/18/02		
RECOM. STOCK SIZE		FT/M PCS	QTY REQD	

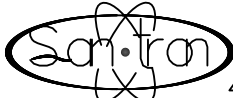
PROPRIETARY  
 THIS DRAWING CONTAINS CONFIDENTIAL INFORMATION PROPRIETARY TO SAN\*TRON INC. IT MUST NOT BE REPRODUCED OR DISCLOSED TO OTHERS OR USED IN ANY OTHER WAY, IN WHOLE OR PART EXCEPT AS AUTHORIZED IN WRITING BY SAN\*TRON INCORPORATED.

REMOVE ALL BURRS AND SHARP EDGES .005 MAX.  
 UNLESS OTHERWISE STATED ALL DIMENSIONS ARE IN INCHES AND APPLY AFTER PLATING

UNSPECIFIED TOL.	DWN	JMB	7/18/02
.XX ± .015	CHKD	FSH	7/18/02
.XXX ± .005	APPR	FSH	7/18/02
FRAC. ± 1/64			

CONCENTRICITY .004 TIR  
 ALL MACHINED SURFACES 63/

SAN • TRON, INC.  
 4 NEWBURYPORT TPK, IPSWICH, MA 01938



TITLE SERIES N PRESSURIZED BULKHEAD RECEPTACLE

MATERIAL: SEE NOTE 2.0      FINISH: SEE NOTE 3.0

FSCM NO. 50896	DWG NO. OL-680-1	REV. D
SCALE 3:1		