

Overview

Southwest Antennas Part # 1000-046 is an omni-directional monopole antenna, designed for operation from 330 - 360 MHz. The antenna features a flexible whip with a fully potted and waterproof base that contains the antenna's matching components. This rugged design allows the antenna to be deployed in harsh operating environments.

Features

- 330 - 360 MHz
- Monopole design with built in 50 Ohm matching network
- Small form factor design
- Lightweight
- Bandwidth achieved by using internal matching components (within antenna)
- Extremely rugged design, waterproof and fully potted
- Low visibility / reflectivity finish for tactical applications
- Highly flexible whip design
- BNC(m) RF connector

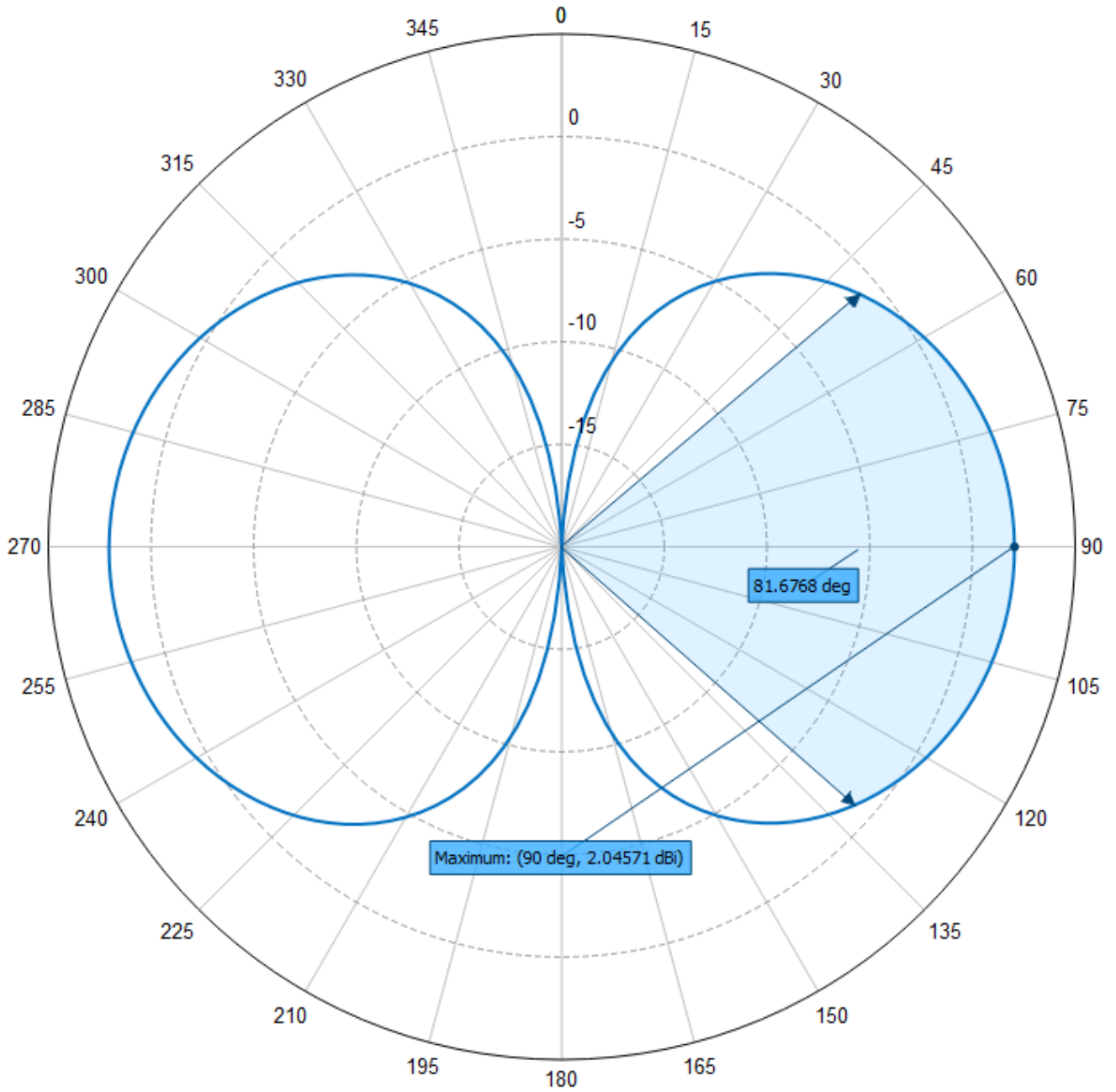
Note 1: The specifications and performance of this antenna are dependent on antenna matching network and counterpoise dimensions.

Note 2: 50 Ohm impedance is measured at antenna connector when mounted to radio counterpoise.



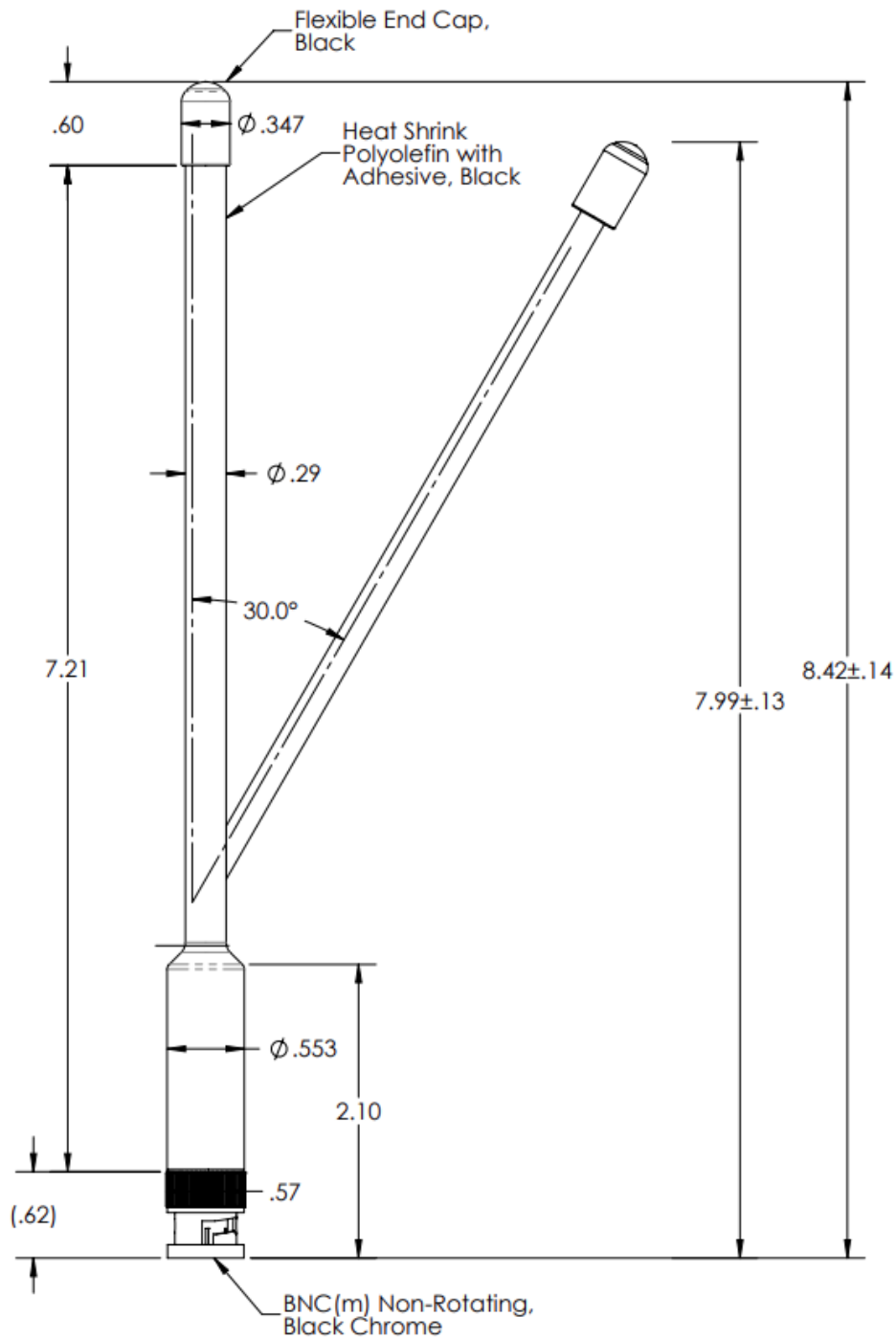
Product Specifications

Parameter	Value	Units	Tolerance
Antenna Pattern	Omni Antenna		
Frequency Band	VHF		
Impedance	50		
Minimum Frequency	0.33 / 330	GHz / MHz	
Maximum Frequency	0.36 / 360	GHz / MHz	
Frequency Bandwidth	0.03 / 30	GHz / MHz	
Maximum Gain	2.00	dBi	When mounted to a counterpoise of 5.3" L x 2.2" W x 1.15" D
Polarization	Vertical		
Color	Black		
Maximum RF Input Power	20	Watts	Dependent on matching network losses
Horizontal AZ Beamwidth	360	Degrees	
Vertical EL Beamwidth	82	Degrees	
Spring	No		
Gooseneck	No		
Ground Plane Required	Yes		
RF Connector Type	BNC(m)		
Product Width	0.57 / 14.48	inches / mm	At widest point of base
Product Height	8.42 / 213.87	inches / mm	±.14"
Product Weight	2.10 / 59.53	oz / g	



Elevation Pattern

Referenced to + 5dBi



Engineering Drawing

All dimensions are in inches