

Features

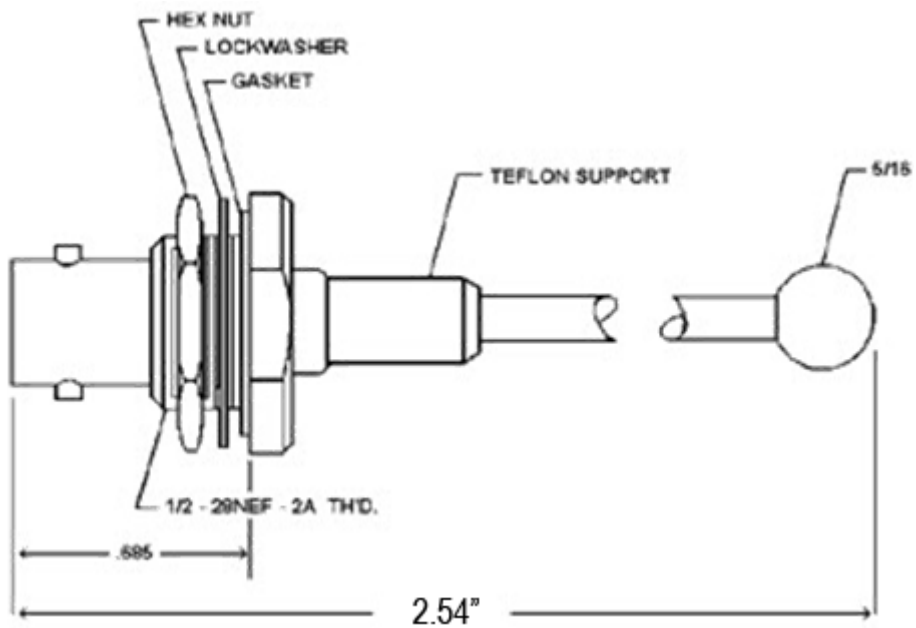
- 1350 - 1390 MHz Frequency Band Coverage
- Monopole Antenna
- Small Form Factor
- Ideal for Aircraft/UAV Applications
- Lightweight
- Ground Plane Counter Poise Required



Product Specifications

Parameter	Value	Units	Tolerance
Antenna Pattern	Omni Antenna		
Frequency Band	L		
Impedance	50		
Minimum Frequency	1.35 / 1,350	GHz / MHz	
Maximum Frequency	1.39 / 1,390	GHz / MHz	
Frequency Bandwidth	0.04 / 40	GHz / MHz	
Maximum VSWR	2.0:1	Ratio	
Maximum Gain	2.00	dBi	
Polarization	Vertical		
Maximum RF Input Power	50	Watts	
Horizontal AZ Beamwidth	360	Degrees	

Parameter	Value	Units	Tolerance
Vertical EL Beamwidth	80	Degrees	
Gooseneck	No		
Ground Plane Required	Yes		
Maximum Wind Velocity	200	kph	
RF Connector Type	BNC(f)		
Product Height	2.54 / 64.52	inches / mm	±0.125"
Product Weight	1.00 / 28.35	oz / g	



Engineering Drawing