

Features

- 225 - 512 MHz
- Monopole Design with built in 50 Ohm matching network
- Lightweight Design
- Bandwidth achieved by using internal matching components (within antenna)
- Extremely Rugged Design
- Low Visibility / Reflectivity
- Highly Flexible
- Waterproof & Fully Potted Design
- Black Chrome Non-Rotating TNC(m) RF Connector
- 20 Meter Waterproof Design (When Installed)

Note 1: The specifications and performance of this antenna are dependent on antenna matching network and counterpoise dimensions.

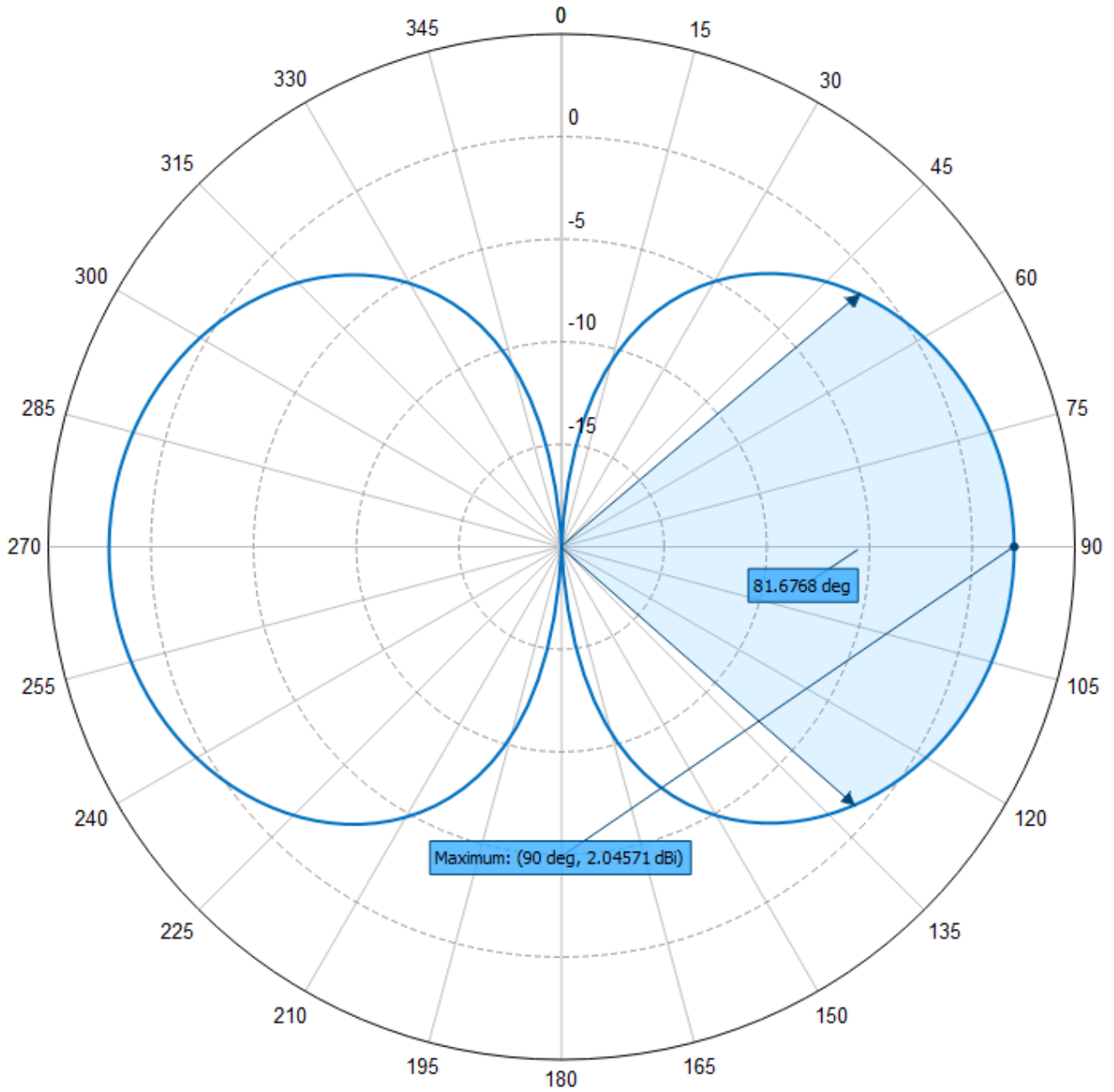
Note 2: 50 Ohm impedance is measured at antenna connector when mounted to radio counterpoise.



Product Specifications

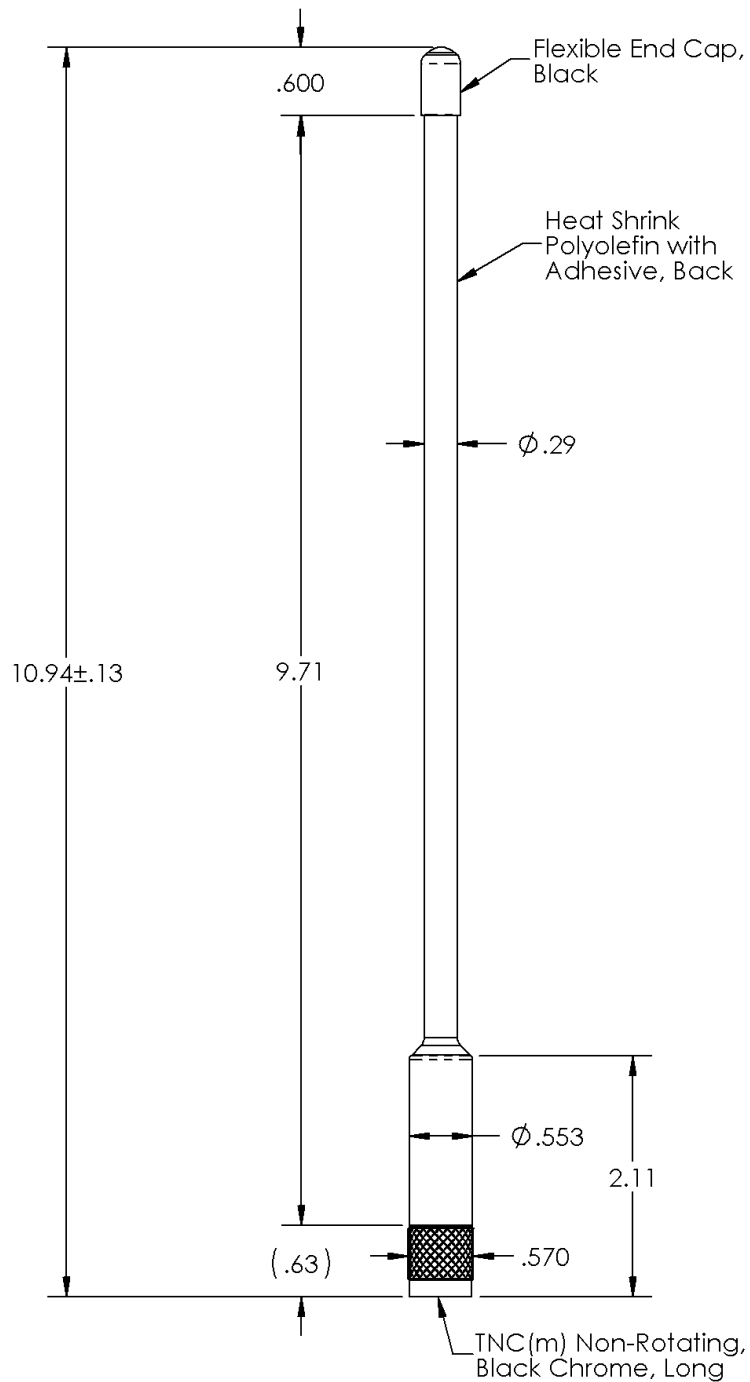
| Parameter | Value | Units | Tolerance |
|------------------------|--------------|-----------|-------------------------------------------------|
| Antenna Pattern | Omni Antenna | | |
| Impedance | 50 | | |
| Minimum Frequency | 0.225 / 225 | GHz / MHz | |
| Maximum Frequency | 0.512 / 512 | GHz / MHz | |
| Frequency Bandwidth | 0.287 / 287 | GHz / MHz | |
| Maximum VSWR | 3.0:1 | Ratio | |
| Maximum Gain | 2.00 | dBi | When mounted to a counterpoise of 5 x 7 x 20 cm |
| Polarization | Vertical | | |
| Color | Black | | |
| Maximum RF Input Power | 10 | Watts | Dependent on matching network losses |

| Parameter | Value | Units | Tolerance |
|-------------------------|-------------------------------------|----------------|-----------|
| Horizontal AZ Beamwidth | 360 | Degrees | |
| Vertical EL Beamwidth | 82 | Degrees | |
| Radome Material | Black Polyolefin with Black End Cap | | |
| Ground Plane Required | Yes | | |
| RF Connector Type | TNC(m) Non-Rotating | | |
| RF Connector Finish | Black Chrome | | |
| Product Height | 10.94 / 277.88 | inches / mm | ±0.13" |
| Product Diameter | .570 / 14.478 | inches / mm | |
| Product Weight | 2.00 / 56.70 | oz / g | |



Elevation Pattern

Referenced to +5 dBi



Engineering Drawing

All dimensions are in inches