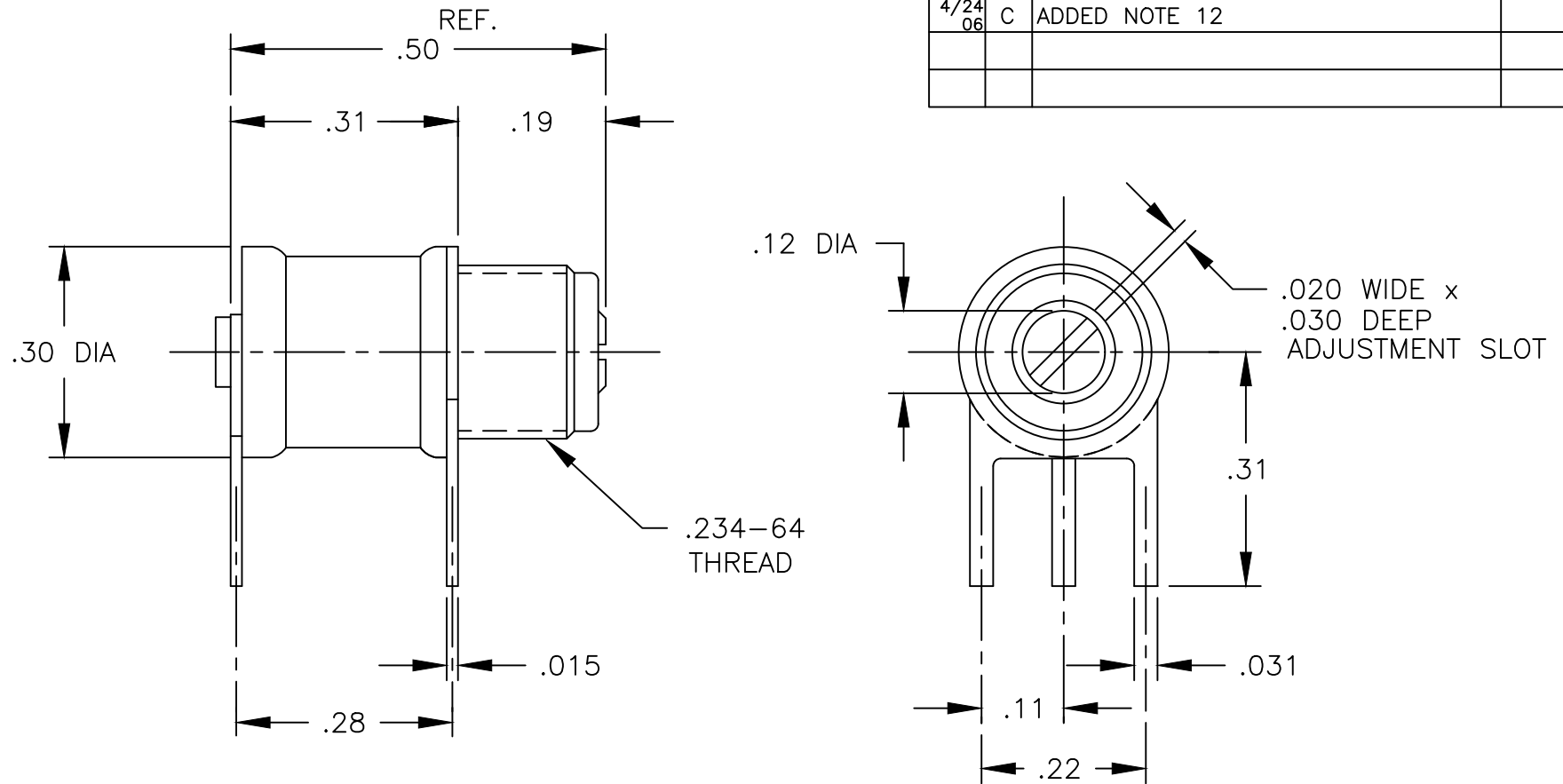


DATE	SYM	REVISION RECORD	AUTH	DR	CK
7/25 00	A	NOTE3: 1000 VDC WAS 125 VDC; NOTE4: 2000 VDC WAS 250 VDC; ADDED NOTE 13.		AS	DD
6/04 04	B	NOTE 3: 750 WAS 1000; NOTE 4: 1500 WAS 2000; REMOVED NOTE 1, 12, 13.		AS	SN
4/24 06	C	ADDED NOTE 12		AS	SN



NOTES:

1. CAPACITANCE RANGE, pF: 1.0 TO 16.0
2. DC WORKING VOLTAGE AT 16.0 pF: 750 VDC
3. DC WITHSTANDING VOLTAGE AT 16.0 pF: 1500 VDC
4. Q FACTOR AT 100 MHz AND 16.0 pF: 2000 MIN.
5. INSULATION RESISTANCE: 10^6 MEGOHMS AT 25°C
6. TEMPERATURE COEFFICIENT: 50 ± 50 ppm/°C
7. OPERATING TEMPERATURE: -65°C TO +125°C
8. TUNING TORQUE: 0.5 TO 5.0 IN-OZ
9. ROTATIONAL LIFE: 600 TURNS
10. VIBRATION: 50g AT 10-2000 Hz
11. SHOCK: 1500g, 0.5 MILLISECS.
12. CONSTRUCTION: NON-MAGNETIC

TOLERANCES (EXCEPT AS NOTED)		VOLTRONICS CORPORATION 100 FORD RD. DENVER N.J.		
DECIMAL XXX ±.005 XX ±.016	SCALE 4 : 1	DRAWN BY A.SHTABNAYA		
FRACTIONAL -	TITLE OUTLINE DWG. V3371	APPROVED BY S.NEWMAN		
ANGULAR -	DATE 5/30/00	DRAWING NUMBER 7,938	REV.C	