

**SPECIFICATIONS**

**ELECTRICAL**

FREQUENCY RANGE \_\_\_\_\_ 10 MHz - 18 GHz  
 IMPEDANCE \_\_\_\_\_ 50 OHMS  
 INSERTION LOSS \_\_\_\_\_ 0.75 dB  
 VSWR \_\_\_\_\_ 1.35:1 MAX.  
 VOLTAGE RATING \_\_\_\_\_ 200 VOLTS MAX (INNER ONLY)  
 OPERATING TEMP \_\_\_\_\_ -65°C TO 125°C

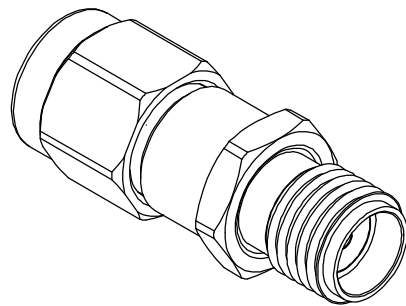
**MECHANICAL**

BODY AND COUPLING NUT \_\_\_\_\_ STAINLESS STEEL PER ASTM-A-582,  
 TYPE 303, PASSIVATED PER QQ-P-35  
 CONTACT \_\_\_\_\_ BERYLLIUM COPPER ALLOY UNS-C17300  
 OR C17300 IAW B196/B197.  
 GOLD PLATE PER MIL-PRF-39012 (ASTM-B488)  
 CONNECTOR INTERFACES, FINISHES AND MATERIALS COMPLY WITH BOTH  
 MIL-PRF-39012 AND MIL-STD-348.

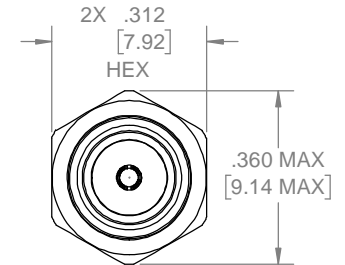
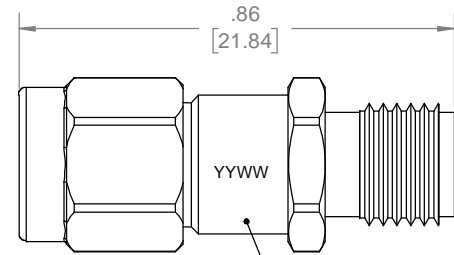
RoHS COMPLIANT DEVICE

**MARKING**

PART LOOKS LIKE PRODUCT IMAGE ABOVE.  
 PART MARKING ORIENTATION AND FORMAT AS SHOWN.  
 MARKING TO BE AS LARGE AS POSSIBLE, CLEAR, AND READABLE.  
 YYWW EQUALS DATE CODE



| REVISIONS |                            |        |         |          |
|-----------|----------------------------|--------|---------|----------|
| REV       | DESCRIPTION                | ECO #  | DATE    | APPROVED |
| -         | INITIAL RELEASE            | 16-241 | 12/7/16 | T.KUHN   |
| A         | INSERTION LOSS WAS .5dB    | 17-119 | 7/27/17 | T.KUHN   |
| B         | CHANGED DESCRIPTION IN BOM | 17-130 | 9/5/17  | T.KUHN   |



MARKING AREA

| QTY. | PART NUMBER      | DESCRIPTION  | ITEM NO. |
|------|------------------|--|----------|
| X    | TA-2046-6050-18U | ASSY, DC BLOCK, SMA-m/f, 10MHz - 18GHz, 2W, UNMARKED |          |
| 1    | 2046-6050-18U    | DC BLOCK, SMA-m/f, 10MHz - 18GHz, 2W, UNMARKED       | 1        |

|  |    |
|--|----|
| DRAWING PRACTICES PER ANSI-Y-14.5 MIL-STD-100 & 1000         |    |
| DIMENSIONS ARE IN INCHES AND APPLY BEFORE / AFTER PROCESSING |    |
| SURFACE ROUGHNESS  | 63 |
| FINISH:  |    |
| SEE NOTES  |    |
| MATERIAL:  |    |
| SEE NOTES  |    |
| NOTE:<br>THIS DRAWING INCORPORATES THIRD ANGLE PROJECTION.   |    |
|  |    |
| INTERPRET IAW ANSI Y14.5-1982                                |    |

UNLESS OTHERWISE SPECIFIED TOLERANCES IN:  
 DECIMALS INCH [MM]  
 .X" .05" [1.27]  
 .XX" .03" [.76]  
 .XXX" .010" [.25]  
 ANGLES ±0°30'  
 REMOVE ALL BURRS/SHARP W/  
 BREAK / R OF .003" TO .0005"  
 UNLESS OTHERWISE NOTED  
 DIAS CONCENTRIC <.003 T.I.R.  
 DO NOT SCALE PRINT

|            |         |
|------------|---------|
| DRAWN      | DATE    |
| MCCORMICK  | 12/7/16 |
| CHECKED    | DATE    |
| MCCORMICK  | 12/7/16 |
| ENG. APPR. | DATE    |
| T.KUHN     | 12/7/16 |



Phone: 603-222-2256 Fax: 603-222-2259  
 150 Dow Street, Manchester, NH 03101

DC BLOCK, SMA-m/f, 10MHz - 18GHz, 2W, UNMARKED

|       |                    |                |     |
|-------|--------------------|----------------|-----|
| SIZE  | CAGE CODE          | DRAWING NUMBER | REV |
| B     | 3HT76              | 2046-6050-18U  | B   |
| SCALE | PLATED AREA SQ. IN | SHEET 1 OF 1   |     |