

ELECTRICAL

SPECIFICATIONS

FREQUENCY RANGE \_\_\_\_\_ DC- 18GHz

ATTENUATION ACCURACY ACROSS FREQ. RANGE

0-06 dB	±0.30 dB
07-10 dB	±0.50 dB
11-20 dB	±0.75 dB
21-30 dB	±1.00 dB

VSWR

DC - 4 GHz	1.15:1 MAX
4 - 12.4 GHz	1.25:1 MAX
12.4 - 18 GHz	1.35:1 MAX

INPUT POWER \_\_\_\_\_ 2 WATTS AVG. @ 25°C  
DERATES LINEARLY TO 10% @ 125°C FROM 25°C

RF LEAKAGE/RFI \_\_\_\_\_ >65 dBc (>90 dBc TYP.)

PEAK POWER \_\_\_\_\_ 500 WATTS  
(5 µ Sec PULSE WIDTH, 25% DUTY CYCLE)

IMPEDANCE \_\_\_\_\_ 50 OHMS

OPERATING TEMP RANGE \_\_\_\_\_ -65°C TO +125°C

MECHANICAL

CONNECTOR BODIES \_\_\_\_\_ PASSIVATED STAINLESS STEEL  
CENTER CONDUCTORS \_\_\_\_\_ GOLD PLATED BERYLLIUM COPPER  
INSULATORS \_\_\_\_\_ PTFE (TEFLON) IAW ASTM-D1710  
RESISTIVE ELEMENT \_\_\_\_\_ THIN FILM ON CERAMIC RESISTIVE CIRCUIT

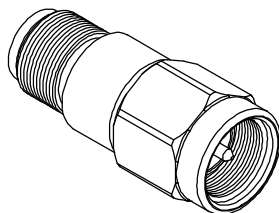
NOT A HERMETIC SEALED UNIT

RoHS COMPLIANT DEVICE

MATERIALS, ENVIRONMENTAL PERFORMANCE & FINISHES COMPLY TO MIL-DTL-3933

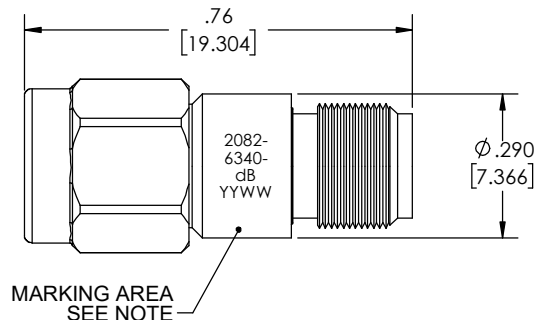
MARKING

PART LOOKS LIKE PRODUCT IMAGE ABOVE.  
PART MARKING ORIENTATION AND FORMAT AS SHOWN.  
MARKING TO BE AS LARGE AS POSSIBLE BE, CLEAR, READABLE.  
"-dB" TO BE REPLACED WITH TWO DIGIT dB VALUE SPECIFIED ON WORK ORDER  
YYWW = DATE CODE.

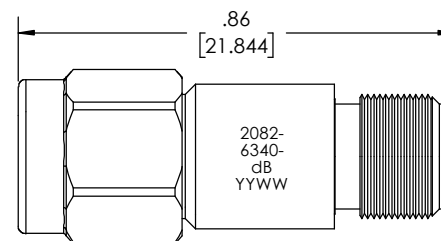


REVISIONS				
REV	DESCRIPTION	ECO #	DATE	APPROVED
E	IN SOLIDWORKS/ADDED MARKING	14-204	8/19/14	T.KUHN
F	CHANGED MARKING TO 4 LINES	16-017	1/26/16	T.KUHN
G	REVISED ATTENUATION ACCURACY	22-007	2/1/22	RF

0dB - 12dB



13dB - 30dB



QTY.	PART NUMBER	DESCRIPTION	ITEM NO.
X	2082-6340-dB	ATTENUATOR, SMA-m/f, DC-18 GHz, 2W AVG, 500 WATTS PEAK	
1	TA-2082-6340-dBU	ASSEMBLY, ATTENUATOR, SMA-m/f, DC-18 GHz, 2W AVG, 500W PEAK, UNMARKED	1

DRAWING PRACTICES PER ANSI-Y-14.5 MIL-STD-100 & 1000
DIMENSIONS ARE IN INCHES AND APPLY BEFORE / AFTER PROCESSING
SURFACE ROUGHNESS µINCHES <b>63</b>
FINISH:
SEE NOTE
MATERIAL:
SEE NOTE
NOTE: THIS DRAWING INCORPORATES THIRD ANGLE PROJECTION.
INTERPRET IAW ANSI Y14.5-1982

UNLESS OTHERWISE SPECIFIED TOLERANCES IN:	DECIMALS	INCH	[MM]
.X"	.05"	[1.27]	
.XX"	.03"	[.76]	
.XXX"	.010"	[.25]	
ANGLES ±0°30'			
REMOVE ALL BURRS/SHARP W/ BREAK / R OF .003" TO .0005" UNLESS OTHERWISE NOTED			
DIAS CONCENTRIC <.003 T.I.R.			
DO NOT SCALE PRINT			

DRAWN	DATE
MCCORMICK	8/18/14
CHECKED	DATE
MCCORMICK	8/18/14
ENG. APPR.	DATE
T.KUHN	8/18/14

Phone: 603-222-2256 Fax: 603-222-2259  
7 Perimeter Road, Manchester, NH 03103

TITLE

**ATTENUATOR, SMA-m/f, DC-18 GHz,  
2 WATTS AVG, 500 WATTS PEAK**

SIZE	CAGE CODE	DRAWING NUMBER	REV
B	3HT76	2082-6340-dB	G
SCALE	PLATED AREA SQ. IN	SHEET 1 OF 1	

THESE DRAWINGS AND SPECIFICATIONS ARE THE PROPERTY OF XMA CORP. OR OMNI SPECTRA AND SHALL NOT BE REPRODUCED, COPIED NOR USED - IN WHOLE OR IN PART - AS A BASIS FOR THE MANUFACTURE OR SALE OF OTHER ITEMS WITHOUT THE EXPRESS WRITTEN PERMISSION OF XMA CORP.